



Isotemp Hybridization Incubators

Small: 13-247-10 (120V), 13-247-11 (100V),
13-247-12 (230V CE), 13-247-13 (230V UK)

Medium: 13-247-20 (120V), 13-247-21 (100V),
13-247-22 (230V CE), 13-247-23 (230V UK)

Dual: 13-247-30 (120V), 13-247-31 (100V),
13-247-32 (230V CE), 13-247-33 (230V UK)

Table of Contents

Information	3
Contact Information	3
Overview	3
Equipment Summary	3
Models Available	4
Rotisseries Available	4
General Specifications	5
Safety Information	6
Unpacking and Installation	9
Unpacking	9
Packing List	9
Location	9
Installation Procedure	10
Operation	11
Front Panel Controls and Indicators	11
Rear Panel Nomenclature	12
General Operation Procedure	13
Power Up	14
Power Up Messages	14
Setting the Temperature	15
Setting the Keypad Protection	15
Setting the Offset Temperature	16
Setting and Reading Temperature Deviation	16
Setting Temperature Deviation On or Off	16
Reading and Resetting Temperature Deviation	17
Preparing the Rotisserie	18
Using the Rotisserie	18
Installing the Rotisserie into the Incubator	19
Loading the Rotisserie	19
Setting the Rotisserie for Variable Axis	20
Unloading the Rotisserie	20
Using the Rocker	21
Installing the Rocker	21
Loading the Rocker	22
Unloading the Rocker	22
Maintenance	23
Cleaning	23
Service	24
Replacement Parts	25
Replacing the Fuses	26
Tightening Loose Belt Tension	26
Fisher Chemical BioReagents	28
Accessories	29

Introduction

This manual provides information and procedures on how to unpack, set up, and operate the Fisher Isotemp brand of Hybridization Incubators.

This manual is intended to be used by Fisher customers responsible for operating the hybridization incubator.

Contact Information

Fisher Scientific, 2555 Kerper Blvd. Dubuque, IA 52001

Technical assistance: 1-800-943-2006
(for guidance in using the product)

Instrument service: 1-800-395-5442
(for repairs and replacement parts)

Customer service: 1-800-766-7000
(to order products and accessories)

Copyright 2000, Fisher Scientific. Fisher reserves the right to change specifications or designs at any time without incurring obligation.

Overview

Equipment Summary

Fisher Isotemp Hybridization Incubators are designed to process nucleic and protein blots derived from hybridization procedures. Incubator heat is accurately controlled to precisely maintain the chamber temperature. Temperature can be set between slightly above ambient and 85°C and is easily set by simple controls on the front panel. A large, bright display shows actual temperature during operation. The incubator features keypad protection, which prevents the set temperature from being changed. This is useful when setting up a processing program where the unit will be unattended. An offset temperature can be programmed to compensate for the actual temperature inside a typical sample loaded into the tubes. The incubator can monitor and store the maximum deviation of the actual temperature from the set temperature. Temperature deviation can be monitored and saved during processing and recalled

INTRODUCTION

later. A separate safety thermostat limits the incubator temperature to approximately 95°C in the event of a temperature controller failure. An indicator on the front panel shows when this condition exists. A rotisserie holds the sample tubes and rotates to provide membrane coverage. Rotisserie rotation speed can be varied by a knob on the front panel. A jog control permits rotating the rotisserie in steps to insert and remove tubes. The incubator has a glass door for observing samples during processing. Interior surfaces are stainless steel for high durability and low maintenance. Small and medium same size units are stackable with an optional stacking plate. The small incubator can be mounted under a cabinet or counter with the optional mounting bracket.

Models Available

Size	Incubator Catalog Number				Sample Tube Capacity		
	at line voltage				with supplied rotisserie		with optional rotisserie
	120 VAC	100 VAC	230 VAC Cont. European	230 VAC UK	35x300 mm	35x150 mm	70x300 mm
Small	13-247-10	13-247-11	13-247-12	13-247-13	4	8	2
Medium	13-247-20	13-247-21	13-247-22	13-247-23	10	20	4
Dual	13-247-30	13-247-31	13-247-32	13-247-33	20	40	8

Rotisseries Available

Different size rotisseries accept different sample tube capacities:

- With the small unit, the supplied rotisserie accepts 4 of the 35x300 mm sample tubes or 8 of the 35x150 mm tubes. An optional rotisserie accepts 2 of the 70x300 mm tubes.
- With the medium unit, the supplied rotisserie accepts 10 of the 35x300 mm tubes or 20 of the 35x150 mm tubes per incubator. An optional rotisserie accepts 4 of the 70x300 mm tubes per incubator.
- The dual unit, accepts two rotisseries, identical to those describe for use in the medium unit.

As an alternative to rotisseries, a rocker is available for agitating samples. The rocker is an option on the medium and dual units and it replaces the rotisserie.

General Specifications

Specifications

Power Requirements: 100 VAC \pm 10%, 50/60 Hz, 120 VAC \pm 10%, 60 Hz, 230 VAC \pm 10%, 50/60 Hz

Small/medium unit: 3.4 A @ 120 VAC, 1.8 A @ 230 VAC

Dual unit: 6.8 A @ 120 VAC, 3.6 A @ 230 VAC

Ambient conditions: +16 to 40°C, up to 90% relative humidity, non-condensing

Temperature range: Ambient +7 to 85°C

Average uniformity: \pm 0.5°C at 55°C within the chamber; \pm 0.25°C at 55°C sample to sample

Heat-up time: 20 minutes from ambient to 65°C

Rotisserie speed: 5-15 rpm

Maximum altitude: 2000 m

Over-voltage category: II (IEC 664)

Pollution degree: 2 (IEC 664)

Exterior dimensions:

W x L x H (nominal) Small: 18 x 16.5 x 17 inches (46 x 42 x 44 cm)
Medium: 18 x 20 x 20.5 inches (46 x 51 x 53 cm)
Dual: 18 x 20 x 41 inches (46 x 51 x 104 cm)

Weight: Small: 45 lbs (21 kg)
Medium: 55 lbs (25 kg)
Dual: 105 lbs (48 kg)



Note: (230 VAC units only)

CE products meet the relevant EC harmonized standards for safety (IEC1010-1/EN61010) and EMC (EN61326-1).

Safety Information

The following symbols may be used on the device:



Indicates that user must read and understand the instructions.



Indicates that surfaces may be hot.


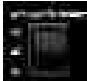





Indicates a shock hazard from dangerous voltage.



Indicates a pinch hazard may exist.

The following labels are used on the device:

	<u>Label</u>	<u>Appearance</u>	<u>Function</u>
Controls	Power		Controls line power to the unit.
	Rotisserie Motor		Controls the motion of the rotisserie motor.
	Rotisserie Speed		Controls the rotisserie's speed of rotation.
	Temperature Control		These controls are associated with the heating function. Used with temperature display (see below).
Indicators	Temperature Display		Indicates the temperature of the incubator chamber. Used with temperature controls (see above). NOTE: The red bar to the left of the display indicates a negative value. Used in calibrating the unit.
	Alarm	Alarm	Indicates that the unit is operating in the alarm condition (the indication is only seen during the alarm condition).



These instructions contain important operating and safety information. The user must carefully read and understand these instructions before using the hybridization incubator.

The hybridization incubator has been designed to optimize function, reliability, safety, and ease of use. It is the user's responsibility to install and use the hybridization incubator properly. Follow these safety instructions regarding the hybridization incubator:

- The hybridization incubator must be used as described in this manual. If used in a manner other than described in this manual, protection provided by the device may be impaired.
- User must completely read, understand, and follow the instructions in this manual before operating the hybridization incubator.
- This equipment is for indoor use only.
- If you plan to use the unit with any procedure that will give off fumes, be sure to operate the unit in a fume hood or with proper ventilation.
- Connect the unit to a properly grounded electrical outlet of the correct voltage and current handling capacity. Check the nameplate on the back of the unit for the voltage and current rating.
- Do not remove or modify the grounded power plug. Use only properly grounded outlets to avoid a shock hazard.
- Disconnect the unit from the power outlet before performing any cleaning, maintenance, or service.
- The hybridization incubator is not intended for use with flammable materials. If used with flammable materials, fire or explosion hazard may result.
- If radioactive materials are used in processing, user must comply with all regulations regarding the acquisition, use, and disposal of such materials.

SAFETY INFORMATION



- Do not continue to use the incubator if the temperature controller fails, as evidenced by the red ALARM indicator lighting.
- Use appropriate hand and eye protection when handling hazardous chemicals.
- Rotisserie and shaker accessory may pose potential pinch hazard. Always turn rotisserie motor off prior to handling rotisserie or shaker.
- The interior of the incubator and its contents can reach temperatures that can cause burns. Avoid contact. The unit can remain hot without visual indication for some time after power is switched off.

CAUTION! DOUBLE POLE NEUTRAL FUSING.

- The power entry module located on the rear of the unit contains two fuses, one located in each side of the AC line.
- To ensure stability of Dual Models (13-247-30, -31, -32 and -33), secure unit to a wall using the included wall bracket.
- Use caution when moving incubator. Note weight of unit to be moved and obtain help if necessary. Tilt incubator to allow grasping under bottom of unit at the sides or back. Do not lift by grasping under plastic bezel at front of unit. Dual unit may require a third person to prevent unit from tipping while being moved.

Unpacking and Installation

Unpacking

Each hybridization incubator is shipped in a single carton. When unpacking the unit, check each item against the packing list below. If something is missing, contact Fisher customer service at 1-800-766-7000, identifying the part by name and catalog number.

Part numbers are listed in the Replacement Parts and Accessory Items sections located at the end of this manual.

Packing List

Small	Quantity		Item supplied
	Medium	Dual	
1	1	1	Hybridization incubator
1	1	2	Drip tray
1	1	2	Rotisserie
1	1	1	35mm x 150mm hybridization tube (Cat. No. 13-247-150)
1	1	1	35mm x 300mm hybridization tube (Cat. No. 13-247-300)
2	2	4	Spare tube clips
1	1	1	Power cord
1	1	1	Instructions
1	1	1	Warranty card
0	0	1	Wall Bracket

Location

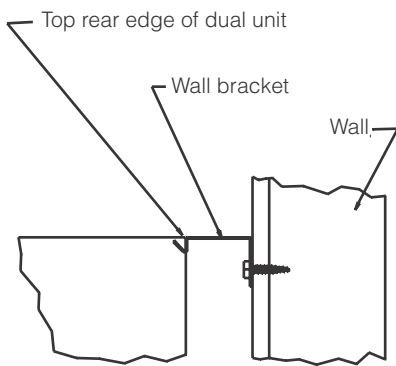
Follow these guidelines when choosing a location for the hybridization incubator. The location must:

- Provide an adequate source of power. Check the label on the back of the unit for voltage and current requirements.
- Provide minimum air clearance as follows: 0.5 inch (13 mm) from top, 2 inches (51 mm) from back, and 2 inches (51 mm) on each side.
- Provide adequate clearance for loading and unloading samples.

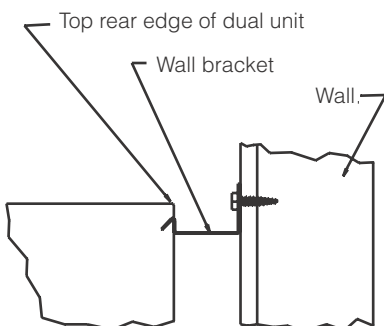
UNPACKING AND INSTALLATION

- Be level and capable of supporting the weight of the unit when loaded with samples.
- Be free of drafts and wide ambient temperature variations such as near a heater or air conditioning vents.
- Be near sufficient counter space for sample preparation, loading, and unloading.
- Provide a fume hood if hazardous fumes are anticipated when using the hybridization incubator.

Figure 1



OR

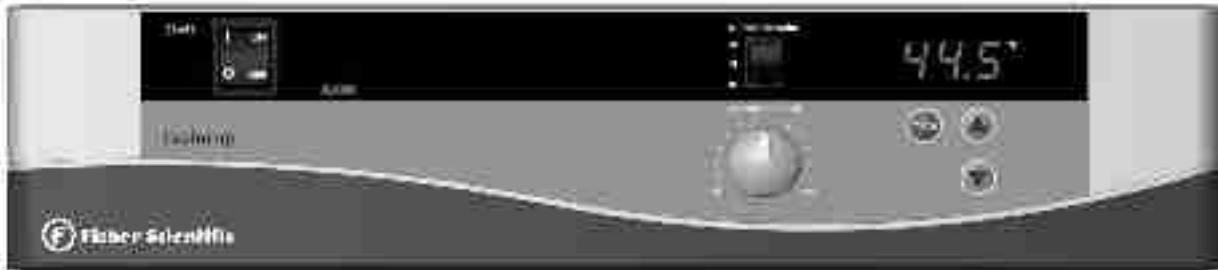


Installation Procedure

1. Carefully unpack the unit and check contents against the packing list.
2. Remove all packaging material before using the incubator.
3. Place incubator on a stable, level surface. To ensure stability of Dual Models (13-247-30, -31, -32, -33), secure unit to a wall using the included wall bracket.
4. Install rotisserie or rocker.
5. Install drip tray inside incubator chamber.
6. Plug the power cord into a suitable grounded electrical outlet.
7. Check out system operation before using unit.
8. Complete and return the warranty card.

Operation

Front Panel Controls and Indicators



Control or indicator

What it does

How to use

power switch

Controls line power to unit.

1 = power on
0 = power off



rotisserie motor switch

Controls motion of rotisserie

off = stops rotisserie
on = runs rotisserie at the speed set on rotisserie speed knob
jog = moves rotisserie a fraction of a turn each time switch is pressed.



rotisserie speed knob

Controls speed of rotisserie

Turn knob to the desired speed for the rotisserie. For slower speeds, turn the knob counterclockwise toward **min.** For faster speeds, turn the knob clockwise toward **max.**



temperature display

Shows actual or set temperature, depending on actions taken on other keys.

During power up, displays actual temperature of incubator. If you press either of the arrow keys, shows set temperature.



Shows messages to indicate menu functions.

Use in conjunction with menu key to access other functions.

Shows status and error messages. Messages)

Take action depending on message. (See Power Up

Front Panel Controls and Indicators (cont.)

Control or indicator
temperature control
menu key



What it does
Advances the display through
through the functions.

How to use
Press the menu key to step all functions.
While each message is displayed, you can
set a value with the arrow keys.

CAL = Temperature offset

The entered value is added to the
measured temperature to allow calibrating
the sample temperature.

Pro = Keypad protection

Choose on or off. When on, set
temperature cannot be changed. When
off, set temperature can be changed.

dEn = Deviation enable

When on, the system stores the maximum
temperature deviation from the set
temperature. When off, the deviation will
not be stored.

dE = Maximum deviation from set
temperature since the last time the
value was reset.

When deviation is enabled (see above),
display shows the maximum deviation
temperature since this function was last
enabled. If deviation enable is set to off,
this function is skipped. Pressing either
arrow key while viewing the deviation
resets the value to zero.

temperature control
arrow keys



Display or change the set temperature

Press either arrow key once to display the
set temperature for two seconds.

Hold the up arrow key to increase the set
temperature. Hold the down arrow key to
decrease the set temperature.

ALARM indicator

Alarm

Shows when there is an alarm
condition

If the ALARM indicator lights, switch off
power and call Fisher Service. Primary
heater control has failed and unit is
operating on safety thermostat.
Temperature is approximately 95°C.

Rear Panel Nomenclature

Item
power entry module/
line filter/fuse holder

What it does
Accepts power cord for providing
line power to unit. Filters incoming
and outgoing power line noise. Holds
fuses for over-current protection.

How to use
Plug mating end of power cord into this
connector. Plug other end into suitable
power outlet.

General Operation Procedure

Follow this general procedure when operating the hybridization incubator:

1. Read, understand, and follow all safety information.
2. Install rotisserie or rocker. See “Installing the Rotisserie into the Incubator” and “Rocker Installation” in the Operation section.
3. Install drip tray and leave in place at all times.
4. Power up system. See “Power Up” in the Operation section.
5. Set temperature as desired for processing and allow incubator to reach and stabilize at desired temperature. See “Setting the Temperature” and “Setting the Temperature Offset” in the Operation section.
6. Load samples into rotisserie or rocker. See “Loading the Rotisserie” in the Operation section. To set the rotisserie for variable axis, see details under “Using the Rotisserie” and “Loading the Rocker.”
7. Run processing procedure as desired. If you want to set keypad protection, see “Setting the Keypad Protection” under the Operation section. For details on temperature deviation, see “Setting and Reading Temperature Deviation” in the Operation section.
8. At conclusion of processing, unload samples from rotisserie or rocker. For details on rotisserie and rocker unloading, see “Unloading the Rotisserie” and “Unloading the Rocker” in the Operation section.
9. Clean incubator for next use. See “Cleaning the Unit” in the Operation section.

Power Up

Follow this procedure to power-up the incubator.

1. Set the power switch to the I position. Display alternates between **oFF** and the measured temperature. If you get any other message, see “Power Up Messages” below.
2. Press any key to stop the **oFF** display. The system displays the actual temperature inside the incubator.

Power Up Messages

When you switch on the power to the hybridization incubator, the display shows one of these messages. Also, if the power ever goes off while the incubator is operating, one of these messages will be displayed:

Message	What it means	What you should do
Display alternates between oFF and the measured temperature.	Power was applied after system had been switched off. If message appears during operation, indicates that power went off.	Press any key to stop the oFF display. Incubator continues operating normally. This is the normal power-up message.
Display alternates between oFF and Alr (alarm).	Measured temperature is more than 3.0° C above the set temperature. May appear if set temperature is changed to a value that is more than 3.0° C below the actual temperature.	Press any key to stop the oFF display. Display alternates between Alr and the actual temperature. Allow incubator to cool. If problem is not the result of setting the temperature lower, have incubator serviced.
Display alternates between oFF and HI .	Measured temperature is more than 99.9° C.	Press any key to stop the oFF display. System will not operate and will continue to display HI . Allow incubator to cool. If problem continues, have incubator serviced.
Display alternates between oFF and tc (temperature control).	There is a problem with either the temperature sensor or the incubator controller.	Press any key to stop the oFF display. System will not operate and will continue to display tc . If problem continues, have incubator serviced.

Setting the Temperature

1. Press and release either of the arrow keys to display the set temperature for two seconds.
2. With the set temperature displayed, to increase the set temperature, press and hold the up arrow for at least two seconds. To decrease the set temperature, press the down arrow. Temperature can be set between 0.0 and 85.0°C.
3. Release the arrow keys when the temperature is set as desired. After ten seconds, the display shows the actual temperature. To return to the actual temperature immediately, press the menu key.

Setting the Keypad Protection

When keypad protection is on, the arrow keys are disabled and the set temperature cannot be changed. This is useful when setting up a processing program where the unit will be unattended. Follow this procedure to set keypad protection on or off:

1. Press the menu key twice so the display shows **Pro** (protection).
 - If keypad protection is on, display shows **on**.
 - If keypad protection is off, display shows **oFF**.
2. To set keypad protection on or off, press either the up or down arrow key.
 - Display shows the new status of keypad protection.
 - After ten seconds, the display returns to the actual temperature.
 - To return to the actual temperature immediately, press the **menu** key.

Setting Offset Temperature

The incubator has been calibrated to display the actual temperature at the center of the chamber. It has been calibrated at 55.0°C therefore the display will be most accurate at this temperature setting. You may wish to recalibrate the incubator to obtain the highest accuracy at another temperature, or to set the temperature to read the actual temperature inside a typical sample inside a sample tube. To do this, use a thermometer to determine the temperature in the chamber or inside the sample, then follow this procedure to set the offset.

1. Note the difference between the displayed temperature and the sample temperature. For example, if the displayed temperature is 45.0°C and the sample temperature is 42.0°C, the offset is -3.0°C. This means that the display should read 3.0°C lower than it now shows.
2. Press the menu key once so the display shows **CAL**.
3. Press and hold either the up or down arrow key to set the desired offset. In the example above, you would set the offset to -3.0°C.
4. Check the temperature accuracy again and change the offset as necessary to achieve the desired temperature.

Setting and Reading Temperature Deviation

With the temperature deviation mode on, the maximum deviation of the actual temperature from the set temperature will be stored and displayed when recalled. With this function off, temperature deviation will not be displayed.

Setting Temperature Deviation On or Off

Follow this procedure to set temperature deviation on or off before processing. After setting on, the maximum tem-

perature deviation will be stored (even with power switched off) until this function is set off or the value is reset.

1. Press the menu key three times so the display shows **dEn** (deviation enable).
 - If temperature deviation is on, display shows **on**.
 - If temperature deviation is off, display shows **oFF**.
2. To set temperature deviation on or off, press either the up or down arrow key.
 - Display shows the new status of temperature deviation.
 - After ten seconds, the display returns to the actual temperature.
 - To return to the actual temperature immediately, press the **menu** key.

Reading and Resetting Temperature Deviation

If temperature deviation is set on, follow this procedure to read the maximum temperature deviation since this function was enabled. You can also follow this procedure to reset the function to start monitoring the temperature deviation again.

1. Press the menu key four times so the display shows **dE** (temperature deviation).

Display shows the maximum temperature deviation from the set temperature since the last time the value was reset.

2. To reset the temperature deviation monitoring function, press either the up or down arrow key while viewing the deviation value.

Display shows temperature deviation of **0.0**.

OPERATION

After ten seconds, the display returns to the actual temperature.

To return to the actual temperature immediately, press the **menu** key.

Using the Rotisserie

Preparing the Rotisserie

To install the tube holders to the rotor discs:

1. Lift tab and slide tube holder onto rotor disc until the tube holder clicks into place. See Figures 2 and 3 below.

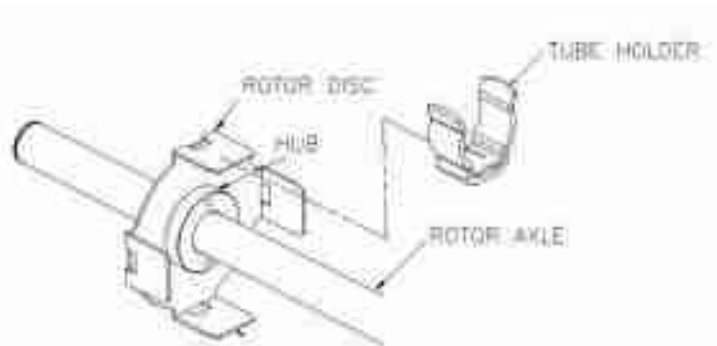


Figure 2

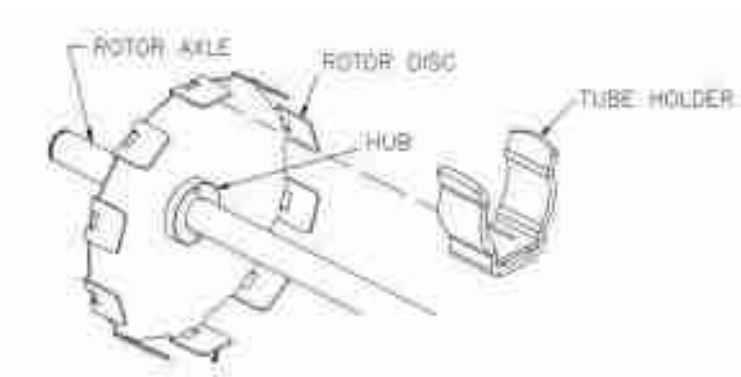


Figure 3

Figure 4

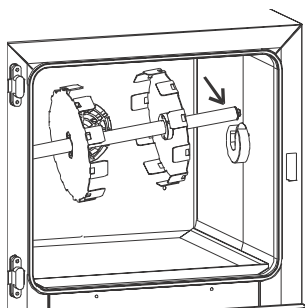
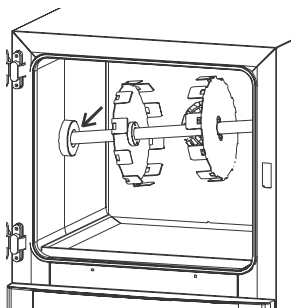


Figure 5

Installing the Rotisserie into the Incubator

Follow this procedure to install a carousel into the incubator.

1. Set the power switch off and open the incubator door.
2. Place the rotisserie into the incubator with the smooth shaft end on the left, gear on the right.
3. Line up the left side of the shaft with the pivot point, then push the rotisserie to the left against the spring, as shown in Figure 4.
4. Line up the right side of the shaft with the gear drive socket, as shown in Figure 5. Release the rotisserie and allow the shaft to be pushed into the socket.

Loading the Rotisserie

With the empty rotisserie in the incubator load the sample tubes as follows:

1. Set the power switch on, set the rotisserie motor switch off, and open the incubator door.
2. Place a sample tube against the rotisserie clips facing the front of the unit. If you need to position the rotisserie, press the rotisserie motor switch to the jog position.
3. Center the sample tube from left to right, then press the tube into the clips until the tube snaps in place.
4. Use the rotisserie motor switch to jog the rotisserie so that an empty position faces the front of the unit.
5. Install another sample tube the same way. Center the tube from left to right, then press the tube into the clips until the tube snaps in place.
6. Repeat jogging the rotisserie and inserting tubes until all of the sample tubes are installed.



Note

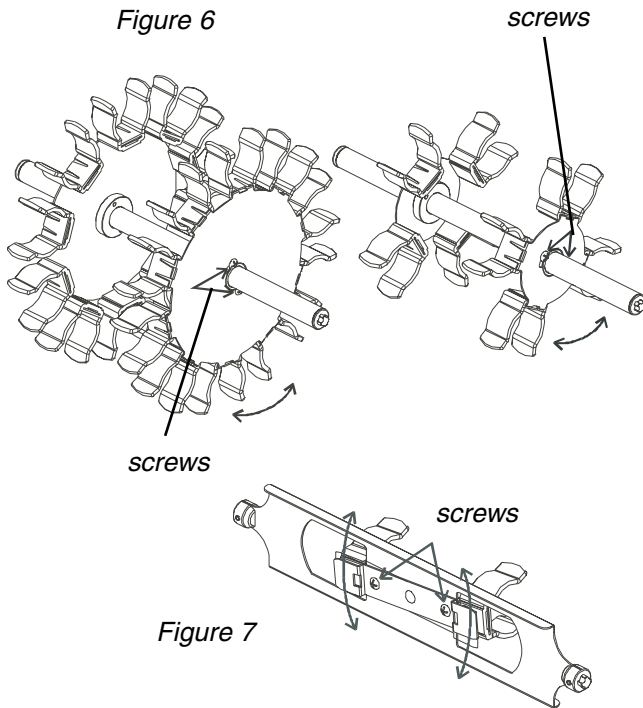
Use the rotisserie speed knob to change the jog speed.

Don't manually rotate the rotisserie. Use the jog position of the rotisserie motor switch.

For best operation, tubes should be loaded symmetrically to balance the rotisserie.

OPERATION

7. Close the incubator door, set the temperature, and set the rotisserie motor switch on to start processing.
8. At the conclusion of processing, set the power switch off, open the incubator door, and unload the rotisserie.



Setting the Rotisserie for Variable Axis

With lower volumes in the sample tubes, you may wish to set the rotisserie for variable axis motion to assist in hybridization. Follow this procedure to change the rotisserie motion from straight motion, where the sample tubes remain level, to variable axis motion, where the sample tubes are at an angle.

1. Set the power switch off, then remove the rotisserie from the incubator.
2. Using a Phillips screwdriver, loosen the two screws on one or both ends of the rotisserie hubs, depending on the desired offset. These screws are shown at left.

If you have the optional rotisserie for the small incubator, loosen the two screws near the middle of the rotisserie, shown at left.

3. Set the rotisserie to the desired offset. You may want to install a sample tube and move the rotisserie to check the setting.
4. Tighten the screws so the rotisserie does not twist.
5. Install the rotisserie into the incubator.

Unloading the Rotisserie

After running the program, follow this procedure to unload the rotisserie:

1. Open the incubator door. Have power switched on, and the rotisserie motor switched off.



Note

Don't manually rotate the rotisserie. Use the jog switch.

2. Use the rotisserie motor switch to jog the rotisserie so that a sample tube faces the front of the unit.
3. Pull the sample tube straight out of the rotisserie.
4. Again use the rotisserie motor switch to jog the rotisserie so that a sample tube faces the front of the unit then remove the tube from the rotisserie.
5. Repeat jogging the rotisserie and removing tubes until all of the sample tubes are removed.
6. Set the power switch off.
7. Clean the unit in preparation for the next use.

Using the Rocker

As an alternative to rotisseries, a rocker is available for agitating samples. The rocker is an option on the medium and dual units and it replaces the normal rotisserie.

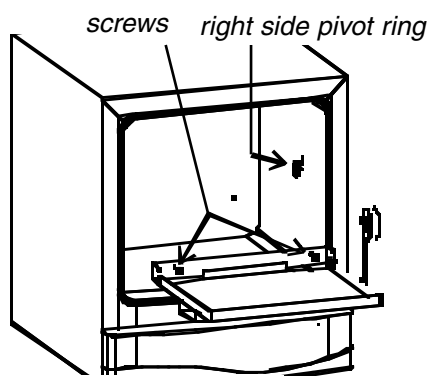


Figure 8

Installing the Rocker

Follow this procedure to install the rocker:

1. Set power switch off and open the incubator door.
2. Remove the rotisserie from the incubator: Push the rotisserie to the left, lift the right side out of the socket, then move the rotisserie slightly to the right and lift it out of the incubator.
3. Place the rocker in the incubator and secure it to the back of the incubator with the two existing screws from the back panel, as shown in Figure 8.
4. Remove the right side pivot ring from inside the incubator: Turn the ring a fraction of a turn counterclockwise, then pull the ring away from the side of the incubator.

OPERATION



Note

When using the rocker, the total sample weight should not exceed 7 lbs (3.2 kg). Distribute the weight evenly, balanced, and centered.

5. Install the rocker pivot ring: Line up the pivot ring spline with the exposed socket then press in and tighten the center fastener.
6. Set power switch on and set the rotisserie motor switch on. Make sure the rocker functions properly with no interference.

Loading the Rocker

With the empty rocker in the incubator, load the samples as follows:

1. Set the power switch on, set the rotisserie motor switch off, and open the incubator door.
2. Install samples into the rocker. If you need to move the rocker for easier loading, use the rotisserie motor switch to jog the rocker.
3. Close the incubator door, set the temperature, and set the rotisserie motor switch on to start processing.

Unloading the Rocker

Follow this procedure to unload the rocker:

1. Open the incubator door. Have power switched on, and the rotisserie motor switched off.
2. Use the rotisserie motor switch to jog the rocker if necessary to assist in removing samples.
3. Set the power switch off.
4. Clean the unit in preparation for the next use.

Maintenance

Cleaning

All of the incubator chamber walls are stainless steel. Clean the interior of the incubator regularly to keep the stainless steel from corroding.

The exterior of the unit is painted metal and plastic. Clean the exterior with warm water or a mild cleaning solution. Follow these guidelines when cleaning the unit:

- Unplug the unit, leave the door open, and allow the incubator to cool before cleaning.
- Remove the drip tray from inside the chamber.
- Clean all surfaces and the drip tray with mild detergent (such as dishwashing detergent) and warm water.
- If radioactive materials have been used, clean the incubator using an appropriate cleaner in an approved manner.
- Do not scrub any surface with steel wool. Steel wool leaves small metal particles behind that will rust, causing the surface to look rusty.
- Where there is a heavy coating of residue on the stainless surfaces, or where there is evidence that corrosion is beginning, use a stainless steel cleaner.
- Rinse and wipe all surfaces with clean water and allow to air dry.

Service

If you need replacement parts or repairs on your hybridization incubator, call the Fisher Service Division at 1-800-395-5442. We suggest that you refer any servicing needs for your hybridization incubator to qualified personnel.

If you are having problems using the incubator, follow these general procedures to track down the cause.

Symptom	Possible Causes of Problem
No power	Unit not plugged in; fuse(s) blown; no power at the outlet; incorrect power (make sure outlet matches label on back of unit); defective power cord; defective power switch.
No heating or heating up slower than normal	Defective heater coil; defective temperature controller board.
Fan doesn't run	Defective fan motor.
Rotisserie doesn't turn	Rotisserie motor switch set to off; defective rotisserie motor; broken drive belt; defective motor controller board.
Display alternates between actual temperature and Alr (alarm).	Temperature setting has been reduced below current chamber temperature. Defective solid-state relay.
ALARM light on	Defective thermocouple; defective temperature controller board; defective solid state relay, defective safety thermostat.

Replacement Parts

Use only genuine Fisher parts in your hybridization incubator. When ordering parts from Fisher, use these service part numbers. To order parts, call Fisher at 1-800-766-7000.

Item	Service Part No.
Temperature controller board (100 V and 120 V units)	SPN103703
Temperature controller board (230 V units)	SPN104627
Motor controller board	SPN103706
Solid state relay	SPN88616
Heater, 100/120 VAC	SPN103644
Heater, 230 VAC	SPN105019
Rotisserie motor	SPN103686
Timing belt	SPN103977
Fan motor, 100/120 VAC	SPN103990
Fan motor, 230 VAC	SPN103991
Temperature sensor	SPN95603
Safety thermostat	SPN103986
Power switch	SPN102629
ALARM light, 100/120 VAC	SPN30244
ALARM light, 230 VAC	SPN23358
Rotisserie motor switch	SPN103989
Rotisserie speed potentiometer	SPN103987
Knob for rotisserie speed control	SPN103867
Power entry module, (for all 120V units except on 13-247-30 and -31)	SPN102486
Power entry module, (for 13-247-30 and -31)	SPN104055
Line Filter (for 13-247-12, -13, -22, -23, -32, and -33)	SPN104579
Fuse, 5A, 250V, 5 x 20mm, fast acting	SPN102487
Circuit Breaker, 8A, (for 13-247-30 and -31)	SPN103988
Power cord, North American	SPN40521
Power cord, Euro	SPN83115
Power cord, UK	SPN83117
Door gasket	SPN103967
Front panel overlay, with "wave"	SPN103974
Front panel overlay, no "wave"	SPN103975
Rotisserie tube clip, 35 mm	SPN103958
Rotisserie tube clip, 70 mm	SPN104008



Warning

Double pole neutral fusing.

Replacing the Fuses

There are two fuses located in the power entry mode on the rear of most units. To replace fuses:

1. Turn the power switch to the **OFF** position and pull the power cord out of the module.
2. Fit a thin blade screwdriver under the bottom portion of the fuse holder.
3. Using a screwdriver, slide the fuse holder out of the module.
4. Replace the bad fuse(s).
5. Slide the fuse holder back into the module until it snaps into place.

Tightening Loose Belt Tension

For Cat # 13-247-10, 11, 12 and 13, perform the following:

1. Turn the power switch to the OFF position and pull the power cord out of the module.
2. Lay the incubator on its right side.
3. Using a screwdriver, remove the screws, then remove the chassis bottom.
4. Using a 11/32 nut driver, loosen the two nuts that hold motor bracket to the chassis.
5. Slide the motor to the rear to tighten belt tension, then tighten nuts.
6. Replace chassis bottom.

For Cat # 13-247-20, 21, 22, 23, 30, 31, 32 and 33, perform the following;

1. Turn the power switch to the OFF position and pull the power cord out of the module.
2. View the incubator from the rear.

3. Using a screwdriver, remove the screws, then remove the chassis back cover.
4. Using a 11/32 nut driver, loosen the two nuts that hold motor bracket to the chassis.
5. Slide the motor to the rear to tighten belt tension, then tighten nuts.
6. Replace chassis back cover.

Fisher Chemical BioReagents

The following BioReagents may be used with nucleic acid hybridizations. These solutions are all guaranteed RNase, DNase, and Protease free. They are sterilized through 0.2 um filter and/or autoclaved, and they are manufactured under ISO 9002 guidelines. When ordering these materials from Fisher, use the catalog numbers below. To order these materials, call Fisher at 1-800-766-7000.

Item	Size	Catalog No.
Denhardt's Reagent	150 mg	BP520-5
Denhardt's Reagent, 50X	5 ml	BP515-5
Dextran Sulfate, Sodium Salt	100 g	BP1585-100
	500 g	BP1585-500
Formamide	25 ml	BP531-25
	500 ml	BP531-500
Hybridization Cocktail, 50% Formamide	50 ml	BP1575-50
Polyvinylpyrrolidone	100 g	BP431-100
Bovine Serum Albumin (Fraction V)	100 g	BP1605-100
Sodium Dodecyl Sulfate, 20% Solution (SDS)	200 ml	BP1311-200
	1 liter	BP1311-1
Saline Sodium Citrate, 20X Solution (SSC)	1 liter	BP1325-1
	20 liter	BP1325-20
Saline Sodium Phosphate-EDTA, 20X Solution (SSPE)	1 liter	BP1328-1
	20 liter	BP1328-20
Tris Borate EDTA, 10X Solution (TBE)	1 liter	BP1333-1
	20 liter	BP1333-20
Tris Borate EDTA, 1X Solution (TBE)	20 liter	BP2430-20
Tris Acetate EDTA, 50X Solution (TAE)	500 ml	BP1332-500
	1 liter	BP1332-1
	20 liter	BP1332-20
Tris Acetate EDTA, 1X Solution (TAE)	20 liter	BP2434-20

Accessories

Item	Catalog No.
Drip tray (for small incubator)	13-247-17
Drip tray (for medium/dual incubator)	13-247-27
Under cabinet mounting bracket (for small incubator)	13-247-18
Stacking plate (for small incubator)	13-247-19
Stacking plate (for medium incubator)	13-247-29
Rocker assembly	13-247-28
Hybridization tubes, 35 mm ID x 300 mm long (available in pack of 2 or case of 6)	13-247-300
Hybridization tubes, 35 mm ID x 150 mm long (available in pack of 2 or case of 6)	13-247-150
Hybridization tube cap O-ring	13-247-RNG
Rotisserie, 35 mm, 4/8 tubes	13-247-15
Rotisserie, 70 mm, 2 tubes	13-247-16
Rotisserie, 35 mm, 10/20 tubes	13-247-25
Rotisserie, 70 mm, 4 tubes	13-247-26

Table des matières en français

Introduction	31
Au sujet de ce manuel	31
Renseignements sur les personnes à contacter	31
Vue d'ensemble	31
Résumé de l'équipement	31
Modèles disponibles	32
L'agitateur rotatifs disponibles	32
Caractéristiques	34
Renseignements de sécurité	35
Symboles	35
Etiquetage	35
Déballage et montage	38
Déballage de l'équipement	38
Bordereau d'expédition	38
Choisir un emplacement convenable	38
Procédure d'installation	39
Commandes et indicateurs	40
Commandes et indicateurs du panneau avant	40
Nomenclature du panneau arrière	42
Fonctionnement	43
Procédure générale de fonctionnement	43
Mise sous tension	44
Messages de mise sous tension	45
Réglage de la température	46
Réglage de la protection de clavier	46
Réglage de la température décalée	47
Réglage et lecture de l'écart de température	48
Mise en marche ou à l'arrêt de l'écart de température	48
Lecture et réglage à nouveau de l'écart de température	49
Utilisation de l'agitateur rotatif	50
Installation de l'agitateur rotatif dans l'incubateur	50
Chargement de l'agitateur rotatif	51
Réglage de l'agitateur rotatif pour un axe variable	52
Déchargement de l'agitateur rotatif	53
Utilisation du bras oscillant	53
Installation du bras oscillant	53
Chargement du bras oscillant	54
Déchargement du bras oscillant	55
Nettoyage de l'appareil	56
Service	57
Si vous avez des problèmes	57
Pièces de rechange	58
Remplacement des fusibles	59
Pour retendre la tension d'une courroie flottante	59
Bioréactifs chimiques de Fisher	61
Accessoires	62

Introduction

Au sujet de ce manuel

Ce manuel procure des renseignements et des procédures sur la manière de déballer, monter et faire fonctionner les Incubateurs d'hybridation de marque Fisher Isotemp.

Ce manuel est destiné à être utilisé par les clients de Fisher Scientific ayant la responsabilité du fonctionnement de l'incubateur d'hybridation.

Renseignements sur les personnes à contacter

Pour de l'aide technique ou du service courant, veuillez contacter le distributeur chez lequel le produit a été acheté.

Fisher Scientific, 2000 Park Lane, Pittsburgh, PA 15275, Etats-Unis

Copyright 2000, Fisher Scientific. Fisher se réserve le droit de changer des caractéristiques ou des conceptions à tout moment sans encourir d'obligation.

Vue d'ensemble

Résumé de l'équipement

Les Incubateurs d'hybridation Fisher Isotemp sont conçus pour traiter les taches nucléiques et protéiniques dérivées des procédures d'hybridation. La chaleur de l'Incubateur est réglée avec précision pour maintenir exactement la température de la chambre. La température peut être fixée entre une valeur un peu au-dessus de la température ambiante et 85°C ; cela se fait facilement à l'aide de commandes simples sur le panneau avant. Un affichage grand et brillant indique la température réelle au cours du fonctionnement. L'incubateur présente une protection du clavier, qui empêche la température réglée d'être changée. Cela est utile quand on prépare un programme de traitement dans lequel l'appareil sera laissé sans surveillance. Il est possible de programmer une température décalée pour compenser la température

Introducción

réelle existant à l'intérieur d'un échantillon typique chargé dans les tubes. L'incubateur peut surveiller et mémoriser l'écart maximum de la température réelle par rapport à la température de consigne. Il est possible de surveiller et de sauvegarder l'écart de température au cours du traitement et de le rappeler plus tard. Un thermostat séparé de sécurité limite la température d'incubateur à environ 95°C dans le cas d'une panne du contrôleur de température. Un indicateur sur le panneau avant indique quand cette condition existe. Une l'agitateur rotatif contient les tubes d'échantillon et les fait tourner pour assurer la couverture de membrane. Il est possible de faire varier la vitesse de rotation de l'agitateur rotatif à l'aide d'un bouton sur le panneau avant. Une commande par à-coups permet de faire tourner l'agitateur rotatif par échelons pour introduire et retirer les tubes. L'incubateur a une porte vitrée servant à observer les échantillons au cours du traitement. Les surfaces intérieures sont en acier inoxydable pour avoir une durabilité élevée et un faible entretien. Les appareils de mêmes tailles, petite et moyenne, peuvent être empilés à l'aide d'une plaque d'empilage en option. Il est possible de monter un petit incubateur sous une armoire ou un comptoir à l'aide d'un support de montage en option.

Modèles disponibles

Taille	Numéro catalogue d'incubateur				Capacité de tube d'échantillon		
	à tension secteur de				avec l'agitateur fournie		avec l'agitateur rotatif en option
	120 V CA	100 V CA	230 V CA Europe contin.	230 V CA Royaume-Uni	35x300 mm	35x150 mm	70x300 mm
Petite	13-247-10	13-247-11	13-247-12	13-247-13	4	8	2
Moyenne	13-247-20	13-247-21	13-247-22	13-247-23	10	20	4
Double	13-247-30	13-247-31	13-247-32	13-247-33	20	40	8

L'agitateur rotatifs disponibles

Des l'agitateur rotatifs de différentes tailles acceptent des capacités différentes de tube d'échantillon :

- Avec le petit appareil, la l'agitateur rotatif fournie accepte 4 tubes d'échantillon de 35x300 mm ou 8 tubes de 35x150 mm. Une l'agitateur rotatif en option accepte 2 tubes de 70x300 mm.

- Avec l'appareil moyen, la l'agitateur rotatif fournie accepte 10 tubes de 35x300 mm ou 20 tubes de 35x150 mm par incubateur. Une l'agitateur rotatif en option accepte 4 tubes de 70x300 mm par incubateur.
- L'appareil double accepte deux l'agitateur rotatifs, identiques à celles décrites pour emploi dans l'appareil moyen.

Comme possibilité autre que les l'agitateur rotatifs, un bras oscillant est disponible pour agiter les échantillons. Le bras oscillant est une option sur les appareils moyens et doubles pour remplacer la l'agitateur rotatif.

Caractéristiques

Ce sont des caractéristiques nominales. Fisher se réserve le droit de changer des caractéristiques ou des conceptions à tout moment sans encourir d'obligation.

Exigences d'alimentation	100 V CA $\pm 10\%$, 50/60 Hz, 120 V CA $\pm 10\%$, 60 Hz, 230 V CA $\pm 10\%$, 50/60 Hz Appareil petit/moyen : 2,9 A @ 100 V CA, 3,4 A @ 120 V CA, 1,8 A @ 230 V CA Appareil double : 5,8 A @ 100 V CA, 6,8 A @ 120 V CA, 3,6 A @ 230 V CA
Conditions ambiantes	+16 à 40°C, jusqu'à 90% d'humidité relative, sans condensation
Gamme de températures	Ambiante +7 à 85°C
Uniformité moyenne	$\pm 0,5^\circ\text{C}$ à 55°C dans la chambre; $\pm 0,25^\circ\text{C}$ à 55°C d'échantillon à échantillon
Temps de chauffage	20 minutes de l'ambiante à 65°C
Vitesse de l'agitateur rotatif	5-15 tr/min
Altitude maximale	2000 m
Catégorie de surtension	II (IEC 664)
Degré de pollution	2 (IEC 664)
Dimensions extérieures LargxLongxH (nominales)	Petit : (46x42x44 cm), Moyen : (46x51x53 cm), Double : (46x51x104 cm)
Poids	Petit : (21 kg), Moyen : (25 kg), Double : (48 kg)



Note

Ce qui suit s'applique seulement aux appareils 230 V CA : Les produits CE satisfont les normes harmonisées EC pour la sécurité (IEC1010-1/EN61010) et EMC (EN61326-1).

Renseignements de sécurité

Symboles

Les symboles suivants peuvent être utilisés sur le dispositif :



Indique que l'utilisateur doit lire et comprendre les instructions.



Indique que les surfaces peuvent être chaudes.








Indique un danger de choc provenant d'une tension dangereuse.



Indique qu'un risque de pincement peut exister.

Étiquetage

Les étiquettes suivantes de commande et d'indicateur sont utilisées sur le dispositif :

	Étiquette	Aspect	Fonction
Commandes	<< power >> (Alimentation)		Commande l'alimentation secteur de l'appareil.
	<< rotisserie motor >> (Moteur de l'agitateur rotatif)		Commande le mouvement du moteur de l'agitateur
	<< rotisserie speed >> (Vitesse de l'agitateur rotatif)		Commande la vitesse de rotation de l'agitateur rotatif.
	(commande de température)		Ces commandes sont associées à la fonction de chauffage. Utilisées avec l'affichage de température (voir ci-dessous).
Indicateurs	(affichage de température)		Indique la température de la chambre de l'incubateur. Utilisé avec les commandes de température (voir ci-dessus).
	<< ALARM >> (ALARME)	Alarm	Indique que l'appareil fonctionne dans la condition d'alarme (l'indication n'est vue qu'au cours de la condition d'alarme).



Ces instructions contiennent des renseignements importants sur le fonctionnement et la sécurité. L'utilisateur doit lire avec soin et comprendre ces instructions avant d'utiliser l'incubateur d'hybridation.

L'incubateur d'hybridation a été conçu pour optimiser la fonction, la fiabilité et la facilité d'emploi. L'utilisateur a la responsabilité d'installer et d'utiliser correctement l'incubateur d'hybridation.

Suivez ces instructions de sécurité concernant l'incubateur d'hybridation :

- L'incubateur d'hybridation doit être utilisé comme décrit dans ce manuel. S'il est utilisé d'une manière autre que celle décrite dans ce manuel, la protection fournie par le dispositif peut être affaiblie.
- L'utilisateur doit lire complètement, comprendre et suivre les instructions de ce manuel avant de faire fonctionner l'incubateur d'hybridation.
- Cet équipement ne doit être employé qu'à l'intérieur.
- Si vous projetez d'utiliser l'appareil avec toute procédure qui doit dégager des vapeurs, assurez-vous de faire fonctionner l'appareil dans une hotte d'aspiration ou avec une ventilation correcte.
- Connectez l'appareil à une prise de courant correctement mise à la terre ayant la tension correcte et l'intensité admissible. Vérifiez la plaque signalétique pour la tension et le courant nominaux.
- Ne retirez pas ni ne modifiez la fiche d'alimentation mise à la terre. N'utilisez que des prises de courant correctement mises à la terre pour éviter un risque de choc électrique.
- Débranchez l'appareil de la prise de courant d'alimentation avant d'effectuer tout nettoyage, entretien ou service.
- L'incubateur d'hybridation n'est pas destiné à être employé avec des matériaux inflammables. S'il est utilisé avec des matériaux inflammables, cela peut produire un risque d'incendie ou d'explosion.

- Si des matériaux radioactifs sont utilisés dans le traitement, l'utilisateur doit se conformer à tous les règlements concernant l'acquisition, l'emploi et la mise au rebut de ces matériaux.
- Ne continuez pas à utiliser l'incubateur si le contrôleur de température défaille, comme prouvé par l'éclairement de l'indicateur rouge d'ALARME.
- Utilisez une protection appropriée des mains et des yeux quand vous manipulez des produits chimiques dangereux.



- L'agitateur rotatif et l'accessoire de secoueur peuvent poser un risque potentiel de pincement. Arrêtez toujours le moteur de l'agitateur rotatif avant de manipuler l'agitateur rotatif ou le secoueur.



- L'intérieur de l'incubateur et son contenu peuvent atteindre des températures pouvant causer des brûlures. Évitez le contact. L'appareil peut rester chaud sans indication visuelle pendant un certain temps après que l'alimentation a été coupée.



MISE EN GARDE ! FUSION NEUTRE BIPOLAIRE .

- Le module d'entrée d'alimentation situé sur l'arrière de l'appareil contient deux fusibles, un situé de chaque côté de la ligne CA.
- Pour assurer la stabilité des Modèles doubles (13-247-30, -31, -32 et -33), attachez l'unité à un mur en utilisant l'attache murale fournie.
- Faites attention quand vous déplacez l'incubateur. Notez le poids de l'appareil à déplacer et obtenez de l'aide si nécessaire. Inclinez l'incubateur pour permettre de le saisir sous le bas de l'appareil sur les côtés ou à l'arrière. Ne le levez pas en le saisissant sous le biseau plastique à l'avant de l'appareil. L'appareil double peut exiger une troisième personne pour l'empêcher de s'incliner au cours du déplacement.

Déballage et montage



Note

S'il y a des dommages d'expédition, gardez toute l'expédition intacte – en conservant le carton et tous les matériaux d'emballage – et déposez une réclamation auprès de l'expéditeur. Généralement, l'expéditeur enverra un enquêteur pour établir la responsabilité.

Déballage de l'équipement

Chaque incubateur d'hybridation est expédié dans un carton unique. Lors du déballage de l'appareil, vérifiez chaque article par rapport au bordereau d'expédition ci-dessous. Si quelque chose manque, veuillez contacter le service client de Fisher, en identifiant la pièce par son nom et son numéro de catalogue. Pour les numéros de pièce, consultez la page 58.

Bordereau d'expédition

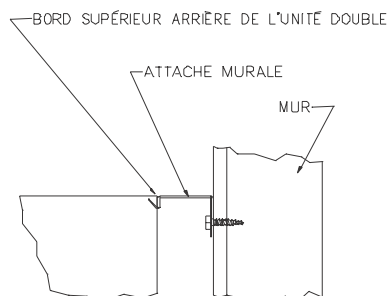
Quantité			Article fourni
Petit	Moyen	Double	
1	1	1	Incubateur d'hybridation
1	1	2	Récipient d'égouttement
1	1	2	L'agitateur rotatif
1	1	1	Tube d'hybridation 35mm x 150mm (N° Cat. 13-247-150)
1	1	1	Tube d'hybridation 35mm x 300mm (N° Cat. 13-247-300)
2	2	4	Attaches de tube de rechange
1	1	1	Cordon d'alimentation
1	1	1	Instructions
1	1	1	Carte de garantie
0	0	1	Attache Murale

Choisir un emplacement convenable

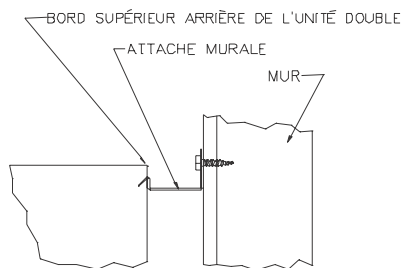
Suivez ces conseils pour choisir un emplacement pour l'incubateur d'hybridation. L'emplacement doit :

- Procurer une source d'alimentation suffisante. Vérifiez l'étiquette sur le dos de l'appareil pour les exigences de tension et de courant.
- Procurer un dégagement d'air minimum comme suit : (13 mm) à partir du haut, (51 mm) à partir du dos et (51 mm) de chaque côté.
- Procurer un dégagement suffisant pour le chargement et le déchargement des échantillons.

- Etre horizontal et capable de supporter le poids de l'appareil lorsqu'il est chargé d'échantillons.
- Etre exempt de courants d'air et de variations étendues de température ambiante comme la proximité d'un appareil de chauffage ou d'événements de climatisation.
- Etre proche d'un espace de comptoir suffisant pour la préparation, le chargement et le déchargement d'échantillons.
- Procurer une hotte d'aspiration si des vapeurs dangereuses sont prévues quand on utilise l'incubateur d'hybridation.



OU



Procédure d'installation

1. Déballez l'appareil avec soin et vérifiez le contenu par rapport au bordereau d'expédition.
2. Retirez tous les matériaux d'expédition avant d'utiliser l'incubateur.
3. Placez l'incubateur sur une surface stable et horizontale. Pour assurer la stabilité des Modèles doubles (13-247-30, -31, -32 et -33), attachez l'unité à un mur en utilisant l'attache murale fournie.
4. Installez l'agitateur rotatif ou le bras oscillant.
5. Installez le récipient d'égouttement à l'intérieur de la chambre d'incubateur.
6. Branchez le cordon d'alimentation dans une prise de courant convenable mise à la terre.
7. Vérifiez le fonctionnement du système avant d'utiliser l'appareil.
8. Remplissez la carte de garantie et retournez-la.

Commandes et indicateurs

Commandes et indicateurs du panneau avant



Commande ou indicateur

Interrupteur
alimentation



Rôle

Commande l'alimentation secteur
allant à l'appareil.

Comment l'utiliser

I = marche alimentation
O = arrêt alimentation

Interrupteur **moteur**
l'agitateur rotatif



Commande le mouvement
de l'agitateur rotatif

off (arrêt) = arrête l'agitateur rotatif
on (marche) = fait marcher l'agitateur
rotatif à la vitesse établie sur le
bouton de vitesse de l'agitateur rotatif
jog (par à-coups) = déplace
l'agitateur rotatif d'une fraction de tour
chaque fois qu'on appuie sur
l'interrupteur.

Bouton **vitesse l'agitateur rotatif**



Commande la vitesse
de l'agitateur rotatif

Tournez le bouton jusqu'à la vitesse
désirée pour l'agitateur rotatif. Pour
des vitesses plus lentes, tournez le
bouton dans le sens antihoraire vers
min. Pour des vitesses plus rapides,
tournez le bouton dans le sens
horaire vers **max**.

Affichage de **température**



de

Indique la température réelle ou
de consigne, selon les mesures

prises sur d'autres touches.

Au cours de la mise sous tension,
affiche la température réelle

l'incubateur. Si vous appuyez sur
l'une ou l'autre des touches fléchées,
indique la température de consigne.

Montre des messages indiquant
touche les fonctions du menu.

A utiliser conjointement avec la
menu pour accéder à d'autres
fonctions.

Montre les messages d'état et
d'erreur.

Prendre une décision selon le
message (voir Messages de mise

Commandes et indicateurs

Commande ou indicateur
Touche de **menu** de
commande de température



Rôle
Fait avancer l'affichage à
travers toutes les fonctions.

sous tension en page 45).
Comment l'utiliser
Appuyez sur la touche **menu** pour
passer à travers les fonctions. Alors
que chaque message est affiché,
vous pouvez fixer une valeur à l'aide
des touches fléchées.

CAL = Décalage de température

La valeur entrée est ajoutée à la
température mesurée pour permettre
d'étalonner la température
d'échantillon.

Pro = Protection de clavier

Choisir marche ou arrêt. En marche
de commande, la température de
consigne ne peut pas être changée. A
l'arrêt, la température de consigne
peut être changée.

dEn = Validation d'écart

En marche de commande, le système
mémoire l'écart de température
maximum par rapport à la
température de consigne. A l'arrêt,
l'écart ne sera pas mémorisé.

dE = Ecart maximum par rapport à
la température de consigne depuis
la dernière fois quand la valeur a
été réglée

Lorsque l'écart a été validé (voir
cidessus), l'affichage indique la
température d'écart maximum
depuis que cette fonction a été
validée pour la dernière fois. Si la
validation d'écart est mise à l'arrêt,
cette fonction est sautée. En
appuyant sur l'une ou l'autre touche
fléchée tout en observant l'écart, on
remet la valeur à zéro.

Touches **fléchées** de commande
de température



Affichent ou changent la
température de consigne

Appuyez sur l'une ou l'autre touche
pour afficher la température de
consigne pendant deux secondes.

Maintenez la touche fléchée ↑ pour
augmenter la température de
consigne. Maintenez la touche
fléchée ↓ pour diminuer la
température de consigne.

Indicateur ALARME
Alarm

Indique quand il y a une
condition d'alarme

Si l'indicateur ALARME s'éclaire,
coupez l'alimentation et appelez le
Service Fisher . La commande du
chauffage principal est tombée en
panne et l'appareil fonctionne sur le
thermostat de sécurité. La
température est d'environ 95°C.

Nomenclature du panneau arrière

Les articles suivants sont situés sur le panneau arrière.

Article

Module d'entrée
d'alimentation /
filtre antiparasite /
porte-fusible

Ce qu'il fait

Accepte le cordon d'alimentation
servant à fournir l'alimentation
secteur à l'appareil. Filtre le bruit
de ligne d'arrivée et de sortie.
Contient les fusibles de protection
contre la surintensité.

Comment l'utiliser

Enfichez l'extrémité d'accouplement
dans ce connecteur. Enfichez l'autre
extrémité dans une prise de courant
d'alimentation convenable.

Fonctionnement

Procédure générale de fonctionnement

Suivez cette procédure générale quand vous faites fonctionner l'incubateur d'hybridation :

1. Lisez, comprenez et suivez tous les renseignements de sécurité.

Pour les détails sur les renseignements de sécurité, voir page 35.

2. Installez l'agitateur rotatif ou le bras oscillant.

Pour les détails sur l'installation de l'agitateur rotatif, voir page 50.

Pour les détails sur l'installation du bras oscillant, voir page 53.

3. Installez le récipient d'égouttement et laissez-le en place à tout moment.

4. Système de mise sous tension. Pour les détails, voir page 44.

5. Réglez la température comme désiré et laissez l'incubateur atteindre la température désirée et s'y stabiliser.

Pour les détails sur le réglage de température, voir page 46.

Pour établir un décalage de température, voir les détails sur la page 47.

6. Chargez des échantillons dans l'agitateur rotatif ou le bras oscillant.

Pour les détails sur le chargement de l'agitateur rotatif, voir page 51.

Pour régler l'agitateur rotatif pour un axe variable, voir les détails sur la page 52.

Pour les détails sur le chargement du bras oscillant, voir page 54.

7. Exécutez la procédure de traitement comme désiré.

Si vous désirez établir la protection de clavier, voir les détails sur la page 46.

Pour les détails sur l'écart de température, voir page 48.

8. A la fin du traitement, déchargez les échantillons de l'agitateur rotatif ou du bras oscillant.

Pour les détails sur le déchargement de l'agitateur rotatif, voir page 53.

Pour les détails sur le déchargement du bras oscillant, voir page 55.

9. Nettoyez l'incubateur pour l'emploi suivant. Pour les détails, voir page 56.

Mise sous tension

Suivez cette procédure pour mettre l'incubateur sous tension.

1. Placez l'interrupteur d'alimentation sur la position **1**.
2. Affichez des valeurs de remplacement entre **oFF** et la température mesurée. Si vous obtenez tout autre message, voir *Messages de mise sous tension* ci-dessous.
3. Appuyez sur n'importe quelle touche pour arrêter l'affichage **oFF**.
4. Le système affiche la température réelle à l'intérieur de l'incubateur.

Messages de mise sous tension

Quand vous mettez sur marche l'interrupteur d'alimentation de l'incubateur, l'affichage indique l'un de ces messages. Aussi, si jamais l'alimentation disparaît alors que l'incubateur est en fonctionnement, l'un de ces messages sera affiché :

Message	Ce qu' il signifie	Ce que vous devez faire
L' affichage bascule entre oFF et la température mesurée.	L' alimentation a été appliquée après que le système a été mis à l' arrêt. Si un message apparaît pendant le fonctionnement, il indique que l' alimentation a été mise à l' arrêt.	Appuyez sur n' importe quelle touche pour arrêter l' affichage oFF. L' incubateur continue à fonctionner normalement. C' est le message de mise sous tension normale.
L' affichage bascule entre oFF et Air (alarme)	La température mesurée dépasse 3,0° C au-dessus de la température de consigne. Peut apparaître si la température de consigne est changée en une valeur qui est plus de 3,0° C au-dessous de la température réelle.	Appuyez sur n' importe quelle touche pour arrêter l' affichage oFF . L' affichage bascule entre Air et la température réelle. Laissez l' incubateur se refroidir. Si le problème n' a pas été produit par un réglage à une température inférieure, faites que l' incubateur reçoive du service.
L' affichage bascule entre oFF et HI .	La température mesurée dépasse 99,9° C.	Appuyez sur n' importe quelle touche pour arrêter l' affichage oFF . Le système ne fonctionnera pas et continuera à afficher HI. Laissez l' incubateur se refroidir. Si le problème continue, faites que l' incubateur reçoive du service.
L' affichage bascule entre oFF et tc (commande de température).	Il y a un problème avec le détecteur de température ou le contrôleur de température.	Appuyez sur n' importe quelle touche pour arrêter l' affichage oFF . Le système ne fonctionnera pas et continuera à afficher tc . Si le problème continue, faites que l' incubateur reçoive du service.

Réglage de la température

Suivez cette procédure pour régler la température.

1. Appuyez sur et relâchez l'une ou l'autre des touches fléchées pour afficher la température de consigne pendant deux secondes.
2. La température de consigne étant affichée, pour augmenter la température de consigne, appuyez sur la flèche dirigée vers le haut et maintenez-la enfoncée pendant au moins deux secondes. Pour diminuer la température de consigne, appuyez sur la flèche dirigée vers le bas.

La température peut être réglée entre 0,0 et 85,0°C.

3. Relâchez les touches fléchées quand la température est réglée comme désirée.

Après dix secondes, l'affichage indique la température actuelle.

Pour revenir immédiatement à la température réelle, appuyez sur la touche **menu**.

Réglage de la protection de clavier

Lorsque la protection du clavier est en marche, les touches fléchées sont mises hors service et la température de consigne ne peut pas être changée. C'est utile quand on prépare un programme de traitement dans lequel l'appareil sera laissé sans surveillance. Suivez cette procédure pour mettre en marche ou à l'arrêt la protection de clavier :

1. Appuyez deux fois sur la touche de menu de sorte que l'affichage indique **Pro** (protection).

Si la protection de clavier est en marche, l'affichage indiquera **on**.

Si la protection du clavier est à l'arrêt, l'affichage indiquera **oFF**.

2. Pour mettre la protection de clavier en marche ou à l'arrêt, appuyez sur la touche fléchée vers le haut ou sur celle fléchée vers le bas.

L'affichage indique le nouvel état de la protection de clavier.

Après dix secondes, l'affichage revient à la température réelle.

Pour revenir immédiatement à la température, appuyez sur la touche **menu**.

Réglage de la température décalée

L'incubateur a été étalonné pour afficher la température réelle au centre de la chambre. Il a été étalonné à 55,0°C ; par conséquent, l'affichage sera le plus précis à ce réglage de température. Vous pouvez souhaiter de réétalonner l'incubateur afin d'obtenir la plus grande précision à une autre température ou régler la température pour lire la température réelle à l'intérieur d'un échantillon typique dans une tube d'échantillon. Pour faire cela, utilisez un thermomètre pour déterminer la température dans la chambre ou à l'intérieur de l'échantillon, puis suivez cette procédure pour régler le décalage.

1. Notez la différence entre la température affichée et la température de l'échantillon.

Par exemple, si la température affichée est de 45,0°C et que la température d'échantillon soit de 42,0°C, le décalage est de -3,0°C. Cela veut dire que l'affichage doit donner une lecture plus basse de 3,0°C que ce qu'il indique actuellement.

2. Appuyez une fois sur la touche de menu de sorte que l'affichage indique **CAL**.
3. Appuyez et maintenez enfoncée la touche fléchée vers le haut ou vers le bas pour établir le décalage désiré.

Dans l'exemple ci-dessus, vous devez régler le décalage à -3,0°C.

4. Vérifiez à nouveau la précision de la température et changez le décalage comme nécessaire pour réaliser la température désirée.

Réglage et lecture de l'écart de température

Le mode d'écart de température étant en marche, la déviation maximum de la température réelle par rapport à la température de consigne sera mémorisée et affichée quand elle sera rappelée. Cette fonction étant à l'arrêt, l'écart de température ne sera pas affiché.

Mise en marche ou à l'arrêt de l'écart de température

Suivez cette procédure pour mettre en marche ou à l'arrêt l'écart de température avant le traitement. Après la mise en marche, l'écart maximum de température sera mémorisé (même avec l'alimentation mise à l'arrêt) jusqu'à ce que cette fonction soit mise à l'arrêt ou que la valeur soit réglée à nouveau.

1. Appuyez trois fois sur la touche de menu de sorte que l'affichage indique **dEn** (mise en service de l'écart).

Si l'écart de température est en marche, l'affichage indique **on** (marche).

Si l'écart de température est à l'arrêt, l'affichage indique **oFF** (arrêt).

2. Pour mettre en marche ou à l'arrêt l'écart de température, appuyez sur la touche fléchée vers le haut ou celle fléchée vers le bas.

L'affichage indique le nouvel état de l'écart de température.

Après dix secondes, l'affichage revient à la température réelle.

Pour revenir immédiatement à la température réelle, appuyez sur la touche **menu**.

Lecture et réglage à nouveau de l'écart de température

Si l'écart de température est mis en marche, suivez cette procédure pour lire l'écart maximum de température puisque cette fonction a été mise en service. Vous pouvez aussi suivre cette procédure pour régler à nouveau la fonction afin de commencer à surveiller à nouveau l'écart de température.

1. Appuyez quatre fois sur la touche de menu de sorte que l'affichage indique **dE** (écart de température).

L'affichage indique l'écart maximum de température par rapport à la température de consigne depuis la dernière fois quand la valeur a été réglée à nouveau.

2. Pour régler à nouveau la fonction de surveillance d'écart de température, appuyez sur la touche fléchée vers la haut ou sur celle fléchée vers le bas tout en observant la valeur de l'écart.

L'affichage indique un écart de température de **0,0**.

Après dix secondes, l'affichage revient à la température réelle.

Pour revenir immédiatement à la température réelle, appuyez sur la touche **menu**.

Utilisation de l'agitateur rotatif

Préparation de l'agitateur rotatif

Pour installer les porte-tubes sur les disques rotor :

1. Soulevez la patte et faites glisser le porte-tubes sur le disque rotor jusqu'à ce que le porte-tubes s'enclenche avec un déclic. Consultez les figures 2 et 3 ci-dessous.

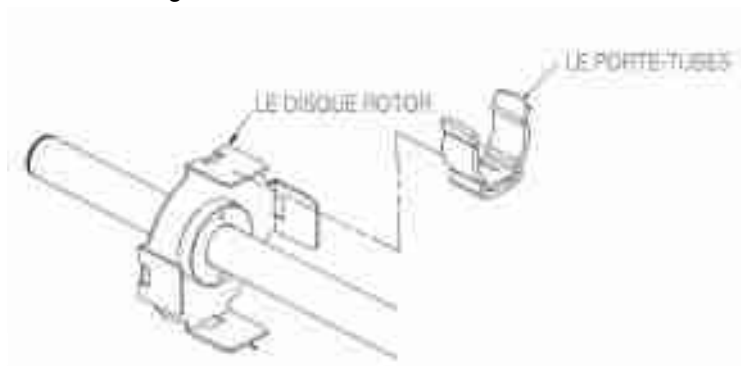


Figure 2

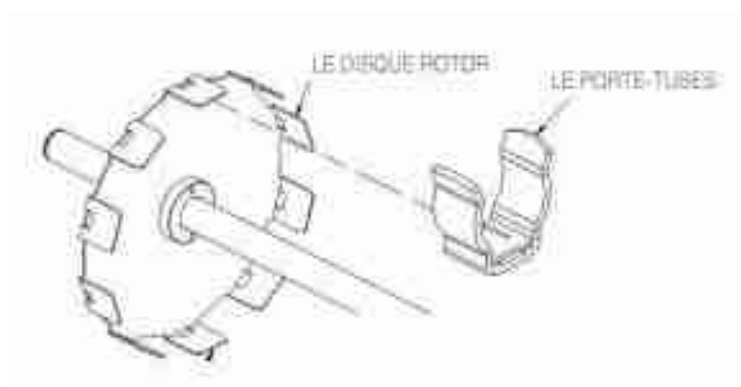


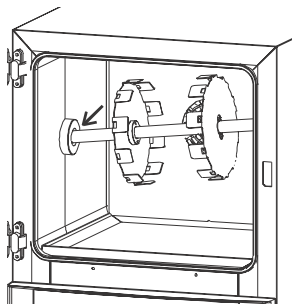
Figure 3

Installation de l'agitateur rotatif dans l'incubateur

Suivez cette procédure pour installer une l'agitateur rotatif dans l'incubateur.

1. Mettez l'interrupteur d'alimentation à l'arrêt et ouvrez la porte de l'incubateur.
2. Placez l'agitateur rotatif dans l'incubateur avec l'extrémité lisse de l'arbre à gauche, l'engrenage à droite.
3. Alignez le côté gauche de l'arbre avec la pointe de pivot, puis poussez l'agitateur rotatif à

Figure 4



gauche contre le ressort, comme indiqué ci-dessous à gauche.

4. Alignez le côté droit de l'arbre avec la prise d'entraînement par pignon, comme indiqué ci-dessus à droite. Relâchez l'agitateur rotatif et permettez à l'arbre d'être poussé dans la prise.

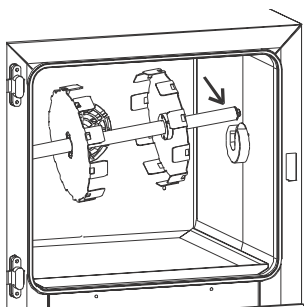


Figure 5



Note

Utilisez le bouton de changement de vitesse de l'agitateur rotatif pour changer la vitesse par à-coups.

Ne faites pas tourner manuellement l'agitateur rotatif. Utilisez la position de marche par à-coups de l'interrupteur du moteur de l'agitateur rotatif.

Pour le meilleur fonctionnement, il faut charger les tubes symétriquement pour équilibrer l'agitateur rotatif.

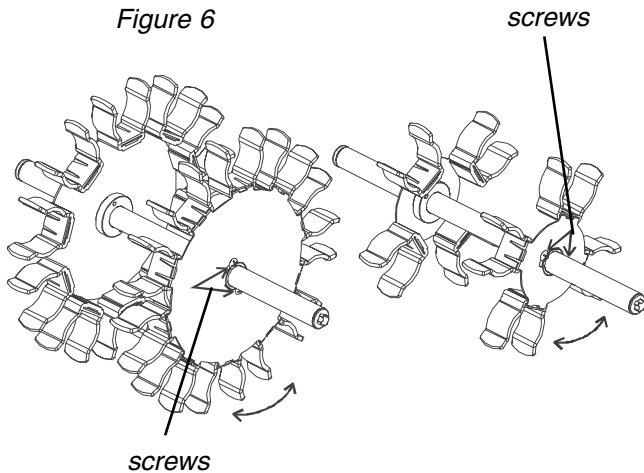
Chargement de l'agitateur rotatif

L'agitateur rotatif vide étant dans l'incubateur, chargez les tubes d'échantillon comme suit :

1. Mettez l'interrupteur d'alimentation sur marche, mettez l'interrupteur du moteur de l'agitateur rotatif sur arrêt et ouvrez la porte de l'incubateur.
2. Placez un tube d'échantillon contre les attaches de l'agitateur rotatif regardant l'avant de l'appareil. Si vous avez besoin de positionner l'agitateur rotatif, appuyez sur l'interrupteur de moteur de l'agitateur rotatif jusqu'à la position par à-coups.
3. Centrez le tube d'échantillon de gauche à droite, puis enfoncez le tube dans les attaches jusqu'à ce que le tube se mette en place d'un coup sec.
4. Utilisez l'interrupteur du moteur de l'agitateur rotatif pour faire fonctionner l'agitateur rotatif par à-coups de sorte qu'une position vide regarde l'avant de l'appareil.
5. Installez un autre tube d'échantillon de la même façon. Centrez le tube de gauche à droite, puis enfoncez le tube dans les attaches jusqu'à ce que le tube se place d'un coup sec.
6. Répétez la marche par à-coups de l'agitateur rotatif et l'introduction des tubes jusqu'à ce que tous les tubes d'échantillon soient installés.
7. Fermez la porte de l'incubateur, réglez la température et mettez l'interrupteur de moteur de l'agitateur rotatif sur la position de marche pour démarrer le traitement.

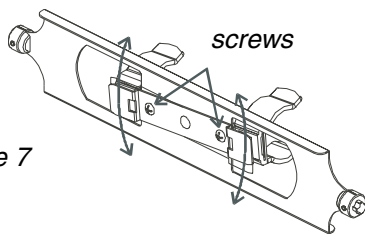
8. A la fin du traitement, mettez l'interrupteur d'alimentation sur arrêt, ouvrez la porte d'incubateur et déchargez l'agitateur rotatif.

Figure 6



screws

Figure 7



screws

Réglage de l'agitateur rotatif pour un axe variable

Avec des volumes inférieurs dans les tubes d'échantillon, vous pouvez souhaiter régler l'agitateur rotatif pour le mouvement à axe variable afin d'aider l'hybridation. Suivez cette procédure pour faire passer le mouvement de l'agitateur rotatif du mouvement droit, dans lequel les tubes d'échantillon restent horizontaux, à un mouvement autour d'un axe variable, dans lequel les tubes d'échantillon sont inclinés par rapport à l'horizontale.

1. Mettez l'interrupteur d'alimentation sur arrêt, enlevez ensuite l'agitateur rotatif de l'incubateur.
2. En utilisant un tournevis à bout de Phillips, desserrez les deux vis sur l'une ou les deux extrémités des moyeux de l'agitateur rotatif, selon le décalage désiré. Ces vis sont indiquées à gauche.

Si vous avez l'agitateur rotatif en option pour le petit incubateur, desserrez les deux vis près du milieu de l'agitateur rotatif, indiquées à gauche.

3. Réglez l'agitateur rotatif à l'angle désiré. Vous pouvez désirer installer un tube d'échantillon et mettre en mouvement l'agitateur rotatif pour vérifier le réglage.
4. Serrez les vis de sorte que l'agitateur rotatif ne se torde pas.
5. Installez l'agitateur rotatif dans l'incubateur.



Note

Ne faites pas tourner manuellement l'agitateur rotatif. Utilisez l'interrupteur de marche par à-coups.

Déchargement de l'agitateur rotatif

Après avoir exécuté le programme, suivez cette procédure pour décharger l'agitateur rotatif :

1. Ouvrez la porte de l'incubateur. Faites que l'alimentation soit mise en marche et que le moteur de l'agitateur rotatif soit mis à l'arrêt.
2. Utilisez l'interrupteur du moteur de l'agitateur rotatif pour faire marcher la rôtisserie par à-coups de sorte qu'un tube d'échantillon regarde l'avant de l'appareil.
3. Tirez le tube d'échantillon pour le faire sortir tout droit hors de l'agitateur rotatif.
4. Utilisez à nouveau l'interrupteur de moteur de l'agitateur rotatif pour faire marcher l'agitateur rotatif par à-coups de sorte qu'un tube d'échantillon regarde l'avant de l'appareil, puis enlevez le tube de l'agitateur rotatif.
5. Répétez la marche par à-coups de la l'agitateur rotatif et enlevez les tubes jusqu'à ce que tous les tubes d'échantillon soient enlevés.
6. Mettez l'interrupteur d'alimentation sur arrêt.
7. Nettoyez l'appareil pour préparer l'emploi suivant.

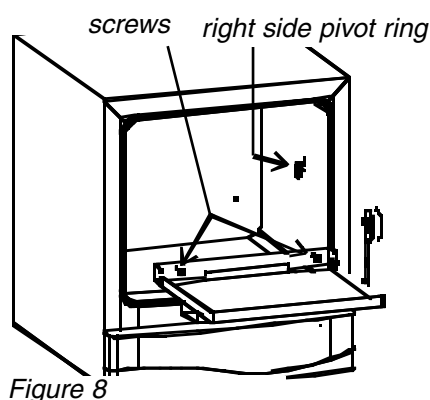
Utilisation du bras oscillant

Comme solution de remplacement des l'agitateur rotatifs, un bras oscillant est disponible pour agiter les échantillons. Le bras oscillant est une option sur les appareils moyens et doubles. Il remplace l'agitateur rotatif normale.

Installation du bras oscillant

Suivez cette procédure pour installer le bras oscillant :

1. Mettez l'interrupteur d'alimentation sur arrêt et ouvrez la porte de l'incubateur.



2. Retirez l'agitateur rotatif de l'incubateur : Poussez la rôtisserie à gauche, levez le côté droit en le sortant de la prise, puis déplacez un peu l'agitateur rotatif à droite et soulevez-la en la sortant de l'incubateur.
3. Placez le bras oscillant dans l'incubateur et attachez-le à l'arrière de l'incubateur à l'aide des deux vis existantes à partir du panneau arrière, comme indiqué à gauche.
4. Retirez la bague de pivot du côté droit de l'intérieur de l'incubateur : Tournez la bague d'une fraction de tour dans le sens antihoraire, puis éloignez la bague du côté de l'incubateur.
5. Installez la bague du pivot de bras oscillant : Alignez la cannelure de bague de pivot avec la prise exposée, puis enfoncez et serrez l'élément de fixation central.
6. Mettez l'interrupteur d'alimentation sur marche et mettez l'interrupteur du moteur de l'agitateur rotatif sur marche. Assurez-vous que le bras oscillant fonctionne correctement sans interférence.

Chargement du bras oscillant

Le bras oscillant vide étant dans l'incubateur, chargez les échantillons de la manière suivante :

1. Mettez l'interrupteur d'alimentation sur marche, mettez l'interrupteur du moteur de l'agitateur rotatif sur arrêt et ouvrez la porte de l'incubateur.
2. Installez les échantillons dans le bras oscillant. Si vous avez besoin de déplacer le bras oscillant pour faciliter le chargement, utilisez l'interrupteur de moteur de l'agitateur rotatif pour faire marcher par à-coups le bras oscillant.
3. Fermez la porte de l'incubateur, réglez la température et mettez l'interrupteur du moteur de l'agitateur rotatif sur marche pour démarrer le traitement.



Note

Quand on utilise le bras oscillant, le poids total d'échantillons ne doit pas dépasser 3,2 kg. Distribuez le poids uniformément, de manière équilibrée et centrée.

Déchargement du bras oscillant

Suivez cette procédure pour décharger le bras oscillant :

1. Ouvrez la porte d'incubateur. Faites que l'alimentation soit commutée sur marche et que le moteur de l'agitateur rotatif soit commuté sur arrêt.
2. Utilisez l'interrupteur de moteur de l'agitateur rotatif pour faire fonctionner par à-coups le bras oscillant si nécessaire afin d'aider à enlever les échantillons.
3. Mettez l'interrupteur d'alimentation sur arrêt.
4. Nettoyez l'appareil pour le préparer pour l'emploi suivant.

Nettoyage de l'appareil

Toutes les parois de la chambre d'incubateur sont en acier inoxydable. Nettoyez régulièrement l'intérieur de l'incubateur pour empêcher l'acier inoxydable de se corroder.

L'extérieur de l'appareil est du métal peint et du plastique. Nettoyez l'extérieur avec de l'eau chaude ou une solution douce de nettoyage.

Suivez ces conseils quand vous nettoyez l'appareil :

- Débranchez l'appareil, laissez la porte ouverte et laissez l'incubateur se refroidir avant le nettoyage.
- Retirez le récipient d'égouttement de l'intérieur de la chambre.
- Nettoyez toutes les surfaces et le récipient d'égouttement avec du détergent doux (comme un détergent de lave-vaisselle) et de l'eau chaude.
- Si des matériaux radioactifs ont été utilisés, nettoyez l'incubateur en utilisant un produit de nettoyage approprié d'une manière approuvée.
- Ne grattez aucune surface avec de la laine d'acier. La laine d'acier laisse derrière elle de petites particules métalliques, ce qui donne à la surface un aspect rouillé.
- Là où il y a une couche épaisse de résidu sur les surfaces inoxydables ou là où il y a preuve d'un début de corrosion, utilisez un agent de nettoyage en acier inoxydable.
- Rincez et essuyez toutes les surfaces avec de l'eau propre et laissez-les sécher à l'air.

Service

Si vous avez besoin de pièces de rechange ou de réparations sur votre incubateur, appelez le distributeur chez lequel vous avez acheté le produit.

Nous suggérons que vous soumettiez tous besoins d'entretien et de réparation pour votre incubateur d'hybridation à du personnel qualifié.

Si vous avez des problèmes

Si vous avez des problèmes pour utiliser l'incubateur, suivez ces procédures générales pour en rechercher la cause.

Si vous avez ce problème	Ceci peut en être la cause
Aucune puissance	Appareil non branché ; fusible(s) sauté(s) ; aucune puissance à la prise de courant ; puissance incorrecte (assurez-vous que la prise de courant correspond à l'étiquette sur le dos de l'appareil) ; cordon d'alimentation défectueux ; interrupteur d'alimentation défectueux.
Aucun chauffage ou chauffage plus lent que la normale	Bobine de chauffage défectueuse ; carte de contrôleur de température défectueuse.
Le ventilateur de marche pas	Moteur de ventilateur défectueux.
L'agitateur rotatif ne tourne pas	Interrupteur de moteur de l'agitateur rotatif mis sur arrêt ; moteur de l'agitateur rotatif défectueux ; courroie d'entraînement rompue ; carte de contrôleur de moteur défectueuse.
L'affichage bascule entre la température réelle et Alr (alarme).	Le réglage de température a été réduit au-dessous de la température actuelle de la chambre. Relais à semi-conducteurs défectueux.
Voyant ALARM éclairé	Thermocouple défectueux ; carte de contrôleur de température défectueuse ; relais à semi-conducteurs défectueux , thermostat de sécurité défectueux.

Service

Pièces de rechange

N'utilisez que des pièces Fisher authentiques dans votre incubateur d'hybridation. Quand vous commandez des pièces provenant de Fisher, utilisez les numéros de pièce de service que voici. Pour commander des pièces, appelez le distributeur chez lequel vous avez acheté le produit.

Article	N° pièce de service
Carte de contrôleur de température, 100/120 V CA	SPN103703
Carte de contrôleur de température, 230 V CA	SPN104627
Carte de contrôleur de moteur	SPN103706
Relais à semi-conducteurs	SPN88616
Appareil de chauffage, 100/120 V CA	SPN103644
Appareil de chauffage, 230 V CA	SPN105019
Moteur de l'agitateur rotatif	SPN103686
Courroie de synchronisation	SPN103977
Moteur de ventilateur, 100/120 V CA	SPN103990
Moteur de ventilateur, 230 V CA	SPN103991
Détecteur de température	SPN95603
Thermostat de sécurité	SPN103986
Interrupteur d'alimentation	SPN102629
Voyant ALARM, 100/120 V CA	SPN30244
Voyant ALARM, 230 V CA	SPN23358
Interrupteur de moteur de l'agitateur rotatif	SPN103989
Potentiomètre de vitesse de l'agitateur rotatif	SPN103987
Bouton de commande de vitesse de l'agitateur rotatif	SPN103867
Module d'entrée d'alimentation, (pour tout le 120V sauf sur 13-247-30 et -31)	SPN102486
Module d'entrée d'alimentation, (pour 13-247-30 et -31)	SPN104055
Line filter (pour 13-247-12, -13, -22, -23, -32, et -33)	SPN104579
Fusible, 5 A, 250 V, 5 x 20mm, action rapide	SPN102487
Disjoncteur, 8A, (pour 13-247-30 et -31)	SPN103988
Cordon d'alimentation, North American	SPN40521
Cordon d'alimentation, Euro	SPN83115
Cordon d'alimentation, UK	SPN83117
Joint d'étanchéité de porte	SPN103967
Recouvrement de panneau avant, avec "ondulation"	SPN103974
Recouvrement de panneau avant, sans "ondulation"	SPN103975
Attache pour tube de l'agitateur rotatif, 35 mm	SPN103958
Attache pour tube de l'agitateur rotatif, 70 mm	SPN104008



Warning

MISE EN GARDE : FUSION
NEUTRE BIPOLAIRE.

Remplacement des fusibles

Il y a deux fusibles situés dans le module d'entrée d'alimentation sur l'arrière de l'appareil. Pour remplacer les fusibles, continuez comme suit :

1. Mettez l'interrupteur d'alimentation sur la position OFF (ARRET) et tirez le cordon d'alimentation pour le sortir du module.
2. Ajustez un tournevis à lame mince sous la partie inférieure du porte-fusible.
3. En utilisant un tournevis, faites glisser le porte-fusible pour le sortir du module.
4. Remplacez les mauvais fusibles.
5. Faites glisser le porte-fusible pour le remettre dans le module jusqu'à ce qu'il s'y place d'un coup sec.

Pour retendre la tension d'une courroie flottante

Pour les Numéros de catalogue 13-247-10, 11, 12 et 13, suivre la procédure suivante:

1. Fermer le commutateur électrique (OFF) et détacher la corde électrique de son module.
2. Mettre l'incubateur sur son côté droit.
3. A l'aide d'un tournevis, enlever les vis, puis détacher du châssis le couvercle inférieur.
4. Au moyen d'une clé à douille de 11/32", desserrer les deux écrous qui assujettissent le support du moteur au châssis.
5. Glisser le moteur vers l'arrière pour retendre la tension de la courroie, puis resserrer les écrous.
6. Remettre le couvercle inférieur à sa place

Pour les numéros de catalogue 13-247-20, 21, 22, 23, 30, 31, 32, et 33, suivre la procédure suivante:

1. Fermer le commutateur électrique (OFF) et détacher la ligne électrique de son module.
2. Placer l'incubateur de façon à faire face à l'arrière.
3. A l'aide d'un tournevis, enlever les vis et détacher le couvercle arrière du châssis .
4. Au moyen d'une clé à douille de 11/32", desserrer les deux écrous qui assujettissent le support du moteur au châssis.
5. Glisser le moteur vers l'arrière pour retendre la tension de la courroie, puis resserrer les écrous.
6. Remettre le couvercle en place à l'arrière du châssis.

Bioréactifs chimiques de Fisher

Les Bioréactifs suivants peuvent être utilisés avec des hybridations d'acide nucléique. Ces solutions sont toutes garanties exemptes de RNase, DNase et de Protéase. Elles sont stérilisées à travers un filtre de 0,2mm et/ou passées à l'autoclave, et elles sont fabriquées selon les directives de ISO 9002.

Lors de la commande de ces matières provenant de Fisher, utilisez les numéros de catalogue ci-dessous. Pour commander ces matières, appelez le distributeur chez lequel vous avez acheté le produit.

Article	Taille	N°Catalogue
Réactif de Denhardt	150 mg	BP520-5
Réactif de Denhardt, 50X	5 ml	BP515-5
Sulfate de dextrane, sel de sodium	100 g	BP1585-100
	500 g	BP1585-500
Formamide	25 ml	BP531-25
	500 ml	BP531-500
Cocktail d'hybridation, 50% Formamide	50 ml	BP1575-50
Polyvinylpyrrolidone	100 g	BP431-100
Albumine de sérum de bœuf (Fraction V)	100 g	BP1605-100
Dodécyl sulfate de sodium, Solution 20% (SDS)	200 ml	BP1311-200
	1 litre	BP1311-1
Solution saline de citrate de sodium , Solution 20X (SSC)	1 litre	BP1325-1
	20 litres	BP1325-20
Solution saline de phosphate de sodium -EDTA, Solution 20X (SSPE)	1 litre	BP1328-1
	20 litres	BP1328-20
Tris Borate EDTA, Solution 10X (TBE)	1 litre	BP1333-1
	20 litres	BP1333-20
Tris Borate EDTA, Solution 1X Solution (TBE)	20 litres	BP2430-20
Tris Acétate EDTA, Solution 50X (TAE)	500 ml	BP1332-500
	1 litre	BP1332-1
	20 litres	BP1332-20
Tris Acétate EDTA, Solution 1X (TAE)	20 litres	BP2434-20

Accessoires

N'utilisez que des accessoires Fisher authentiques conçus spécifiquement pour votre incubateur d'hybridation.

Lors de la commande d'accessoires provenant de Fisher, utilisez les numéros de catalogue ci-dessous. Pour commander des accessoires, appelez le distributeur chez lequel vous avez acheté le produit.

Article	N° Catalogue
Récipient d'égouttement (pour petit incubateur)	13-247-17
Récipient d'égouttement (pour incubateur moyen/double)	13-247-27
Support de montage sous armoire (pour petit incubateur)	13-247-18
Plaque d'empilage (pour petit incubateur)	13-247-19
Plaque d'empilage (pour incubateur moyen)	13-247-29
Ensemble de bras oscillant	13-247-28
Tubes d'hybridation, DI 35 mm x 300 mm long (disponibles en paquet de 2 ou boîte de 6)	13-247-300
Tubes d'Hybridation, DI 35 mm x 150 mm long (disponibles en paquet de 2 ou boîte de 6)	13-247-150
Joint torique de chapeau de tube d'hybridation	13-247-RNG
L'agitateur rotatif, 35 mm, 4/8 tubes	13-247-15
L'agitateur rotatif, 70 mm, 2 tubes	13-247-16
L'agitateur rotatif, 35 mm, 10/20 tubes	13-247-25
L'agitateur rotatif, 70 mm, 4 tubes	13-247-26

Índice en Español

Introducción	64
Sobre este manual.....	64
Información de contactos.....	64
Panorama global	64
Resumen del equipo	64
Modelos disponibles	65
Del agitador giratorios disponibles.....	65
Especificaciones.....	67
Información de seguridad.....	68
Símbolos	68
Desempaque y preparación	71
Desempaque del equipo	71
Lista de Empaque	71
Seleccionar una ubicación conveniente	71
Procedimiento de instalación.....	72
Mandos e indicadores	73
Mandos e indicadores del tablero delantero	73
Nomenclatura del tablero posterior	75
Operación.....	76
Procedimiento general de operación.....	76
Encender	78
Mensajes de encendido.....	78
Graduación de la temperatura	79
Graduación de la protección del teclado	79
Graduación de la temperatura del desplazamiento.....	80
Graduación y lectura de la desviación de temperatura	81
Graduación del encendido o apagado de la desviación de temperatura	81
Lectura y restablecimiento de la desviación de temperatura	82
Uso del agitador giratorio	83
Instalación del agitador giratorio en la incubadora	84
Carga del agitador giratorio.....	84
Graduación del agitador giratorio para el eje variable	85
Descarga del agitador giratorio	86
Uso de la mecedora	86
Instalación de la mecedora	87
Carga de la mecedora.....	87
Descarga de la mecedora	88
Limpieza de la unidad	88
Servicio.....	90
Servicio Fisher	90
En caso de tener problemas	90
Piezas de repuesto	91
Reemplazo de los fusibles.....	92
Como apretar una correa de tensión floja.....	92
Reactivos biológicos Fisher	94
Accesorios	95

Introducción

Sobre este manual

Este manual proporciona información y procedimientos sobre cómo desempaquetar, preparar, y operar la marca Isotemp Fisher de Incubadoras de Hibridación.

Este manual es para usar por clientes de Fisher Scientific responsables por operar la incubadora de hibridación.

Información de contactos

Por favor consultar con el distribuidor de quien se compró el producto, para asistencia técnica o servicio.

Fisher Scientific, 2000 Park Lane, Pittsburgh, PA 15275, EE.UU.

Registro de propiedad literaria de 2000, Fisher Scientific. Fisher se reserva el derecho para cambiar especificaciones o diseños en cualquier momento sin incurrir en ninguna obligación.

Panorama global

Resumen del equipo

La incubadoras de Hibridación Isotemp Fisher están diseñadas para procesar coágulos nucleicos y de proteína derivados de los procedimientos de hibridación. El calor de la incubadora se controla para mantener la temperatura de la cámara con precisión. La temperatura puede graduarse entre ligeramente por sobre el ambiente y 85°C y es fácilmente graduada por los mandos simples en el tablero delantero. Un despliegue grande, luminoso muestra la temperatura real durante el funcionamiento. La incubadora ofrece protección del teclado, que previene el cambio de la temperatura graduada. Esto es útil al preparar un programa del proceso dónde la unidad no estará atendida. Una temperatura del desplazamiento puede programarse para compensar por la temperatura real dentro de una muestra típica cargada en los tubos. La incubadora puede supervisar y archivar la desviación máxima de la temperatura real, de la temperatura graduada. La desviación de temperatura puede supervisarse y archivar durante el proceso y usarse

después después. Un termostato separado de seguridad limita la temperatura de la incubadora a aproximadamente 95°C en caso de una falla del controlador de la temperatura. Un indicador en el tablero delantero muestra cuando esta condición existe. Un agitador giratorio sujeta los tubos de muestra y rueda para proporcionar cobertura a la membrana. La velocidad de rotación del Agitador giratorio puede variarse por una perilla en el tablero delantero. Un mando de avance súbito permite girar el agitador giratorio en etapas para insertar y quitar los tubos. La incubadora tiene una puerta de vidrio para observar las muestras durante el proceso. Las superficies interiores son de acero inoxidable para una duración alta y un mantenimiento bajo. Las unidades pequeñas y medianas del mismo tamaño son apilables con un plato apilador opcional. La incubadora pequeña puede montarse bajo un armario o mostrador con el soporte opcional de montaje.

Modelos disponibles

Tamaño	El Número de Catálogo de incubadora				La Capacidad del tubo de muestra		
	at line voltage				con el agitador giratorio proporcionado		con el agitador giratorio opcional
	120 VCA	100 VCA	230 VAC Cont. Europeo	230 VCA Reino Unido	35x300 mm	35x150 mm	70x300 mm
Pequeño	13-247-10	13-247-11	13-247-12	13-247-13	4	8	2
Mediano	13-247-20	13-247-21	13-247-22	13-247-23	10	20	4
Dual	13-247-30	13-247-31	13-247-32	13-247-33	20	40	8

Agitador giratorios disponibles

Los agitador giratorios del tamaño diferentes capacidades de tubo de muestra diferentes:

- Con la unidad pequeña, el agitador giratorio proporcionado acepta 4 de los tubos de muestra de 35x300 mm u 8 de los tubos de 35x150 mm. Un agitador giratorio opcional acepta 2 de los tubos de 70x300 mm.
- Con la unidad mediana, el agitador giratorio proporcionado acepta 10 de los tubos de 35x300 mm ó 20 de los tubos de 35x150 mm por incubadora. Un agitador giratorio opcional acepta 4 tubos de 70x300 mm por incubadora.

Introducción

- La unidad dual, acepta dos agitador giratorios, idénticos a aquéllos descritos para uso en la unidad mediana.

Como una alternativa al agitador giratorio, una mecedora está disponible para agitar las muestras. La mecedora es una opción en las unidades medianas y duales y reemplaza el agitador giratorio.

Especificaciones

Éstas son las características técnicas nominales. Fisher se reserva el derecho para cambiar especificaciones o diseños en cualquier momento sin incurrir en obligaciones.

Requerimientos de energía eléctrica AMP a	100 VAC \pm 10%, 50/60 Hz, 120 VAC \pm 10%, 60 Hz, 230 VAC \pm 10%, 50/60 Hz, Unidad pequeña/mediana: 2.9 Amp a 100 VCA, 3.4 AMP a 120 VCA, 1.8 230 VCA. Unidad dual: 5.8 AMP a 100 VCA, 6.8 AMP a 120 VCA, 3.6 AMP a 230 VCA
Las condiciones ambientales	+16 a 40°C, hasta 90% de humedad relativa, sin condensado
Intervalo de temperatura	El ambiente +7 a 85°C
Uniformidad promedio	\pm 0.5°C a 55°C dentro de la cámara; \pm 0.25°C a 55°C muestra a muestra
Tiempo de calentamiento	20 minutos del ambiente a 65°C
Velocidad del Agitador giratorio aceleran	5-15 rpm
Altitud máxima	2000 m
Categoría de voltaje excesivo	II (IEC 664)
Grado de contaminación	2 (IEC 664)
Dimensiones exteriores ANxLxALT (nominal)	Pequeño: 46x42x44 cm, Medio: 46x51x53 cm, Dual: 46x51x104 cm
Peso	Pequeño: 21 kg, Medio: 25 kg, Dual: 48 kg



Nota

Lo siguiente sólo aplica a unidades de 230 VCA: los productos de la CE cumplen con los estándares armonizados relevantes de la CE para seguridad (IEC1010-1 / EN61010) y EMC (EN61326-1).

Información de seguridad

Símbolos

Los símbolos siguientes pueden usarse en el dispositivo:



Indica que ese usuario debe leer y entender las instrucciones.



Indica que las superficies pueden estar calientes.



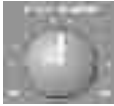




Indica un riesgo de choque del voltaje peligroso.



Indica que puede existir riesgo de pellizco.

Se usan las siguiente etiquetas de control indicador en el dispositivo:

	<u>Etiqueta</u>	<u>Apariencia</u>	<u>Función</u>
Controles	“power” (Controla la energía)		Controla energía de línea a la unidad.
	“rotisserie motor” (Motor del agitador giratorio)		Controla el movimiento del motor del agitador giratorio.
	“rotisserie speed” (Velocidad del agitador giratorio)		Controla la velocidad de rotación del agitador giratorio.
	(el mando de temperatura)		Estos mandos son asociados con la función térmica. Usado con la pantalla de temperatura (ver abajo).
Indicadores	(pantalla de temperatura)		Indica la temperatura de la cámara de la incubadora. Usado con los mandos de temperatura (vea anteriormente).
	“ALARM” (ALARMA)	Alarm	Indica que la unidad está operando en la condición de la alarma (la indicación sólo se ve durante la condición de la alarma).



Estas instrucciones contienen importante información de operación y seguridad. El usuario debe leer cuidadosamente y debe entender estas instrucciones antes de usar la incubadora de hibridación.

La incubadora de hibridación se ha diseñado para perfeccionar la función, confiabilidad, seguridad, y facilidad de uso. Es la responsabilidad del usuario instalar y usar la incubadora de hibridación propiamente.

Seguir estas instrucciones de seguridad con respecto a la incubadora de hibridación:

- La incubadora de hibridación debe usarse como descrito en este manual. Si se usa de una manera diferente a la descrita en este manual, puede perjudicarse la protección proporcionada por el dispositivo.
- El usuario debe leer, entender y seguir completamente las instrucciones en este manual antes de operar la incubadora de hibridación.
- Este equipo sólo es para el uso interior.
- Si se planea usar la unidad con cualquier procedimiento que emitirá humos, asegurarse de operar la unidad en una campana de humo o con ventilación apropiada.
- Conectar la unidad a un tomacorriente eléctrico apropiadamente conectado a tierra, de voltaje y capacidad de manejo de corriente correctos. Inspeccionar el placa de nombre en la parte posterior de la unidad para el voltaje y corriente nominales.
- No quitar o modifique el tapón de energía conectado a tierra conectado con tierra. Sólo usar enchufes apropiadamente conectados a tierra para evitar un riesgo de choque.
- Desconectar la unidad del tomacorriente de energía antes de realizar cualquier limpieza, mantenimiento, o servicio.

Información de seguridad

- La incubadora de hibridación no está diseñada para usar con materiales inflamables. Si se usa con los materiales inflamables, puede resultar en un riesgo de incendio o explosión.
- Si se usan materiales radiactivos para procesar, el usuario debe obedecer todas las regulaciones con respecto a la adquisición, uso, y disposición de tales materiales.
- No continuar usando la incubadora si falla el control de temperatura falla, evidenciado por la iluminación roja del indicador de ALARMA.
- Use la protección apropiada de las manos y ojos al manejar materiales químicos riesgosos.



- El asador rotativo y accesorio agitador pueden crear un riesgo potencial de pellizco. Apague siempre el motor del asador rotativo antes de manejar el asador rotativo o el agitador.



- El interior de la incubadora y sus volúmenes puede alcanzar temperaturas que pueden causar quemaduras. Evite el contacto. La unidad puede permanecer caliente sin indicación visual durante algún tiempo, después de desconectar la electricidad.



¡PRECAUCION! DOBLE FUSIL DEL POLO NEUTRAL .

- El módulo de entrada de energía, ubicado en la parte posterior de la unidad contiene dos fusibles, uno ubicado a cada lado de la línea del CA.
- Tenga cuidado cuando traslade el incubador. Note el peso de la unidad a trasladar y obtenga ayuda si es necesario. Inclíne el incubador para permitir el agarre debajo del fondo de la unidad, por los costados o por atrás. **No levante agarrando por debajo de la montadura de plástico al frente de la unidad.** La unidad doble puede requerir una tercera persona para evitar que se tumbe mientras se la traslada.
- Para asegurar la estabilidad de los Modelos Duales (13-247-30, -31, -32, & -33), fijar la unidad a la pared usando la ménsula de pared incluida.

Desempaque y preparación



Nota

Si hubiera daños por el transporte, guardar el embarque entero intacto—reteniendo la caja y todo el material del embalaje—y registrar un reclamo con el transportista. Normalmente el transportista enviará a un investigador para determinar su obligación.

Desempaque del equipo

Cada incubadora de hibridación se envía en una sola caja. Al desempaquetar la unidad, verificar cada artículo contra la lista del embalaje de abajo. Si faltara algo, llamar al Departamento de Servicio al Cliente de Fisher, identificando la parte por el nombre y número del catálogo. Para los números de la parte, ver la página de accesorios 95.

Lista de Empaque

Pequeño	Cantidad		Artículo provisto
	Mediano	Dual	
1	1	1	Incubadora de hibridación
1	1	2	Bandeja de goteo
1	1	2	Agitador giratorio
1	1	1	Tubo de hibridación de 35mm x 150mm (Cat. No. 13-247-150)
1	1	1	Tubo de hibridación de 35mm x 300mm (Cat. No. 13-247-300)
2	2	4	Broches del tubo de repuesto
1	1	1	Cordón de Potencia
1	1	1	Instrucciones
1	1	1	Tarjeta de la garantía
0	0	1	Soporte de pared

Seleccionar una ubicación conveniente

Seguir estas pautas al seleccionar una ubicación para la incubadora de hibridación. La ubicación debe:

- Proporcionar una fuente adecuada de energía. Inspeccionar la etiqueta en la parte posterior de la unidad por los requerimientos de voltaje y corriente.
- Proporcionar una separación mínima de aire libre como sigue: (13 mm) de la cima, (51 mm) de la parte posterior, y (51 mm) a cada lado.

Desempaque y preparación

- Mantener una separación adecuada para cargar y descargar las muestras.
- Estar nivelada y capaz de sostener el peso de la unidad cuando esté cargada con las muestras.
- Estar libre de corrientes de aire y grandes variaciones de temperatura ambientes tales como cerca de un calentador o ventiladeros del aire acondicionado.
- Estar cerca de un espacio suficiente del contador suficiente para la preparación, carga y descarga, de la muestra.
- Proporcionar una campana de humo si se anticipa que se emitirán humos riosos al usar la incubadora de hibridación.

Procedimiento de instalación

1. Desempacar cuidadosamente la unidad e inspeccionar el contenido contra la lista de embalaje.
2. Quitar todo el material de empaque antes de usar la incubadora.
3. Colocar la incubadora en una superficie estable y nivelada. Para asegurar la estabilidad de los Modelos Duales (13-247-30, -31, -32, & -33), fijar la unidad a la pared usando la ménsula de pared incluida.
4. Instalar el agitador giratorio o mecedora.
5. Instale la bandeja de goteo dentro de la cámara de la incubadora.
6. Enchufar el cordón de energía a un enchufe eléctrico apropiado conectado a tierra.
7. Comprobar el funcionamiento del sistema antes de usar la unidad.
8. Completar y devolver la tarjeta de la garantía.

Mandos e indicadores

Mandos e indicadores del tablero delantero



Mando o indicador

Conmutador de energía



Función

Controla la energía de línea a la unidad.

Cómo usarlo

1 = energía conectada

0 = energía desconectada

conmutador del motor del agitador giratorio



Controla el movimiento del agitador giratorio

off = para el agitador giratorio
on = hace funcionar el agitador giratorio a la velocidad graduada en la perilla de velocidad del agitador giratorio

fracción

jog = mueve el agitador giratorio una de vuelta cada vez que se oprime el conmutador.

perilla de velocidad



Controla la velocidad del agitador giratorio

Girar la perilla a la velocidad deseada del agitador giratorio para el agitador giratorio. Para las velocidades más lentas, girar la perilla en sentido contrario a las agujas del reloj hacia el "min". Para las velocidades más rápidas, girar la perilla en el sentido de las agujas del reloj hacia el "max" (máximo).

pantalla de temperatura



Muestra la temperatura real o graduada, dependiendo de las acciones tomadas en otras teclas.

Durante el encendido muestra la temperatura real de la incubadora. Si se oprime cualquiera de las teclas de flecha, muestra la temperatura graduada.

Muestra mensajes para indicar las funciones del menú.

Usar junto con la tecla del menú para acceder a otras funciones.

Muestran mensajes de estado y error.

Tomar acción dependiente del mensaje (ver mensajes de encendido (Power up) en la página de 10).

Mandos e indicadores

Tecla de menú de mando de temperatura la llave del menú



Avanza la pantalla a través de todas las funciones. Oprimir la tecla del menú para proceder a través de las funciones.

Mientras se muestra cada mensaje, se puede graduar un valor con las teclas de flecha.

CAL = el desplazamiento de Temperatura

El valor entrado se agrega a la temperatura medida para permitir calibrar la temperatura de la muestra.

Pro = protección del teclado

Seleccionar on u off. Cuando en on, la temperatura graduada no puede cambiarse. Cuando en off, la temperatura graduada puede cambiarse.

dEn = habilitación de la desviación

Cuando está encendido, el sistema archiva la desviación máxima de temperatura de la temperatura graduada. Cuando está apagado, no se archiva la desviación.

dE la desviación máxima de la temperatura graduada desde la última vez que el valor fue restablecido

Cuando la desviación se habilita (ver arriba, la pantalla muestra la temperatura de desviación máxima desde que esta función fue habilitada por último. Si la habilitación de la desviación se graduó a cero, esta función se saltea. El oprimir cualquiera de las teclas de flecha al verse la desviación restablece el valor a cero.

mando de temperatura teclas de flecha



Muestra o cambia la temperatura graduada

Oprimir cualquiera de las teclas de llave para mostrar la temperatura graduada durante dos segundos.

flecha descendente.

disminuir la temperatura graduada, oprimir la tecla de

Para incrementar la temperatura graduada, oprimir la tecla de flecha ascendente. Para

Indicador de ALARMA

Alarm

Muestras cuando hay una condición de la alarma

Si el indicador de la ALARMA se enciende, apagar la energía y llamar al Servicio de Fisher. El mando del calentador primario ha fallado y la unidad está operando en el termostato de seguridad. La temperatura es aproximadamente de 95°C.

Nomenclatura del tablero posterior

Los artículos siguientes están ubicados en el tablero posterior.

Artículo

módulo de entrada
de energía /

Función

Acepta el cordón de energía para
proporcionar energía de línea a la
unidad. Filtra el ruido entrante
y saliente de la línea de energía.

Cómo usarlo

Enchufar el extremo de unión del cordón
de energía en este conector. Enchufar el
otro extremo en un tomacorriente
apropiado.

filtro de línea /
sujetador del fusible

Sujeta a los fusibles para protección
contra corriente excesiva.

Operación

Procedimiento general de operación

Seguir este procedimiento general al operar la incubadora de hibridación:

1. Leer, entender, y seguir toda la información de seguridad.

Para los detalles en la información de seguridad, ver la página 68.

2. Instalar el agitador giratorio o la mecedora.

Para los detalles de instalación del agitador giratorio, ver la página 84.

Para los detalles de instalación de la mecedora, ver la página 87.

3. Instalar la bandeja de goteo y dejar salga en todo momento en el lugar.

4. Encender el sistema. Para los detalles, ver la página 78.

5. Graduar la temperatura como deseada por procesar y permitir que la incubadora alcance y se estabilice a la temperatura deseada.

Para los detalles de graduar la temperatura, ver la página 79.

Para graduar una temperatura de desplazamiento, ver los detalles en la página 80.

6. Cargar las muestras en el agitador giratorio o la mecedora.

Para los detalles de cargar el agitador giratorio, ver la página 84.

Para graduar el agitador giratorio para un eje variable, ver los detalles en la página 85.

Para los detalles de cargar la mecedora, ver la página 87.

7. Hacer funcionar el procedimiento de proceso como deseado.

Si usted quiere poner protección del teclado, ver los detalles en la página 79.

Para los detalles en la desviación de temperatura, ver la página 81.

8. A la conclusión de procesar, descargar las muestras de agitador giratorio o mecedora.

Para los detalles de descargar el agitador giratorio, ver la página 86.

Para los detalles de descargar la mecedora, ver la página 88.

9. Limpiar la incubadora para el próximo uso. Para los detalles, ver la página 88.

Encender

Seguir este procedimiento para encender la incubadora.

1. Poner el conmutador de energía en la posición 1.

La pantalla alterna entre **oFF** y la temperatura medida. Si se muestra cualquier otro mensaje, ve Power los mensajes de Encendido de abajo.

2. Oprimir cualquier tecla para detener la pantalla **oFF**.

El sistema muestra la temperatura real dentro de la incubadora.

Mensajes de encendido

Cuando se enciende la energía a la incubadora de hibridación, la pantalla muestra uno de estos mensajes. También, si alguna vez se corta la energía mientras la incubadora está funcionando, se muestra uno de estos mensajes:

Mensaje	Lo que significa	Qué usted debe hacer
---------	------------------	----------------------

La pantalla alterna entre oFF y la temperatura medida.	La energía se aplicó después que el sistema se había apagado. Si el mensaje aparece durante el funcionamiento, indica que se cortó la energía.	Oprimir cualquier tecla para detener la pantalla oFF . La incubadora continúa operando normalmente. Éste es el mensaje normal de encendido.
---	--	--

La pantalla alterna entre oFF y Alr (alarma).	La temperatura medida está a más de 3.0°C sobre la temperatura graduada. Puede aparecer si la temperatura graduada ha cambiado a un valor que está a más de 3.0°C por debajo de la temperatura real.	Oprimir cualquier tecla para detener la pantalla oFF . La pantalla alterna entre Alr y la temperatura real. Permitir que la incubadora se enfríe. Si el problema no es el resultado de graduar la temperatura baja, hacer reparar la incubadora.
---	--	--

La pantalla alterna entre oFF y HI .	La temperatura medida está a más de 99.9°C.	Oprimir cualquier tecla para detener la pantalla oFF . El sistema no operará y continuará mostrando HI . Permitir que la incubadora se enfríe. Si el problema continúa, hacer reparar la incubadora.
--	---	--

La pantalla alterna entre oFF y tc (control de temperatura).	Hay un problema con el sensor de temperatura o el mando de la incubadora.	Oprimir cualquier tecla para detener la pantalla oFF . El sistema no operará y continuará mostrando tc . Si el problema continúa, hacer reparar la incubadora.
--	---	--

Graduación de la temperatura

Seguir este procedimiento para graduar la temperatura.

1. Oprimir y soltar ambas teclas de flecha para mostrar la temperatura graduada durante dos segundos.
2. Con la temperatura graduada mostrada, y para aumentar la temperatura graduada, oprimir y mantener la flecha ascendente durante por lo menos dos segundos. Para disminuir la temperatura graduada, oprimir la flecha descendente.

La temperatura puede graduarse entre 0.0 y 85.0°C.

3. Cuando la temperatura está a la graduación deseada, soltar las teclas de flecha.

Después de diez segundos, la pantalla muestra la temperatura real.

Para retornar inmediatamente a la temperatura real, oprimir la tecla del **menú**.

Graduación de la protección del teclado

Cuando está encendida la protección del teclado, las teclas de flecha son inválidas y la temperatura graduada no puede cambiarse. Esto es útil al preparar un programa del proceso dónde la unidad no estará atendida. Seguir este procedimiento para graduar el encendido o apagado de la protección del teclado:

1. Oprimir dos veces la tecla del menú de manera que la pantalla muestre **Pro** (protección).

Si la protección del teclado está encendida, la pantalla muestra **on**.

Si la protección del teclado está apagada, la pantalla muestra **oFF**.

2. Para graduar la protección del teclado a on u off, oprimir cualquiera de las teclas de flecha ascendente o descendente.

La pantalla muestra el nuevo estado de protección del teclado.

Después de diez segundos, la pantalla retorna a la temperatura real.

Para retornar inmediatamente a la temperatura real, oprimir la tecla del **menú**.

Graduación de la temperatura del desplazamiento

La incubadora se ha calibrado para mostrar la temperatura real al centro de la cámara. Se ha calibrado a 55.0°C, por consiguiente la pantalla es muy exacta a esta graduación de temperatura. Se puede desear recalibrar la incubadora para obtener la mayor exactitud a otra temperatura, o para graduar la temperatura para leer la temperatura real dentro de una muestra típica dentro de un tubo de muestra. Para hacer esto, usar un termómetro para determinar la temperatura en la cámara o dentro de la muestra, y a continuación seguir este procedimiento para graduar el desplazamiento.

1. Notar la diferencia entre la temperatura mostrada y la temperatura de la muestra.

Por ejemplo, si la temperatura mostrada es de 45.0°C y la temperatura de la muestra es de 42.0°C, el desplazamiento es -3.0°C. Esto significa que la pantalla debe mostrar 3.0°C menores que lo que muestra ahora.

2. Oprimir la tecla del menú una vez para que la pantalla muestra **CAL**.
3. Oprimir y mantener la tecla de flecha ascendente o descendente para graduar el desplazamiento deseado.

En el ejemplo de arriba, sobre, se debe graduar el desplazamiento a -3.0°C.

4. Verificar nuevamente la exactitud de la temperatura y cambiar el desplazamiento como sea necesario para lograr la temperatura deseada.

Graduación y lectura de la desviación de temperatura

Con el modo de desviación de temperatura encendido, la desviación máxima de la temperatura real de la temperatura graduada se archiva y muestra cuando se llama. Con esta función apagada, no se muestra la desviación de temperatura.

Graduación del encendido o apagado de la desviación de temperatura

Seguir este procedimiento para graduar el encendido o apagado de la desviación de temperatura antes de procesar. Después de graduar el encendido, se archiva la desviación máxima de temperatura (aún con la energía cortada) hasta que esta función se apague o el valor se restablece.

1. Oprimir la tecla del menú tres veces para que la pantalla muestre **dEn** (habilitación de la desviación).

Si la desviación de temperatura está encendida, la pantalla muestra “**on**” encendido.

Si la desviación de temperatura está apagada, la pantalla muestra “**oFF**” apagado.

2. Para graduar la desviación de temperatura a encendido o apagado, oprimir las teclas de flecha ascendente o descendente.

La pantalla muestra el nuevo estado de desviación de temperatura.

Después de diez segundos, la pantalla retorna a la temperatura real.

Para retornar inmediatamente a la temperatura real, oprimir la tecla de **menú**.

Lectura y restablecimiento de la desviación de temperatura

Si la desviación de temperatura está graduada a encendida, seguir este procedimiento para leer la desviación máxima de temperatura desde que esta función fue habilitada. Se puede también seguir este procedimiento para restablecer la función para comenzar a supervisar nuevamente la desviación de temperatura.

1. Oprimir cuatro veces la tecla del menú para que la pantalla muestre dE (desviación de temperatura).

La pantalla muestra la desviación máxima de temperatura de la temperatura graduada desde la última vez que el valor fue restablecido.

2. Para restablecer la desviación de temperatura que supervisa la función, oprimir cualquiera de las teclas de flecha ascendente o descendente mientras se observa el valor de desviación.

La pantalla muestra una desviación de temperatura de **0.0**.

Después de diez segundos, la pantalla retorna a la temperatura real.

Para retornar inmediatamente a la temperatura real, oprimir la tecla del **menú**.

Uso del agitador giratorio

Preparación del agitador giratorio

Para instalar los soportes de tubos en los discos rotores:

1. Levante la perilla e introduzca el soporte de tubos en el disco rotor hasta que el soporte de tubos quede sujeto en posición. Véanse las figuras 2 y 3 a continuación.



Figura 2

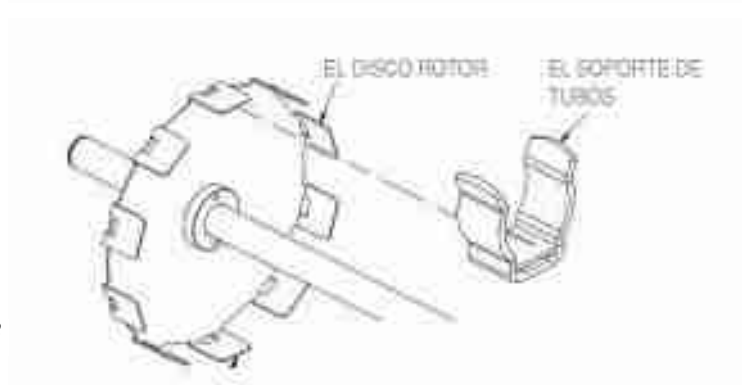


Figura 3

Figure 4

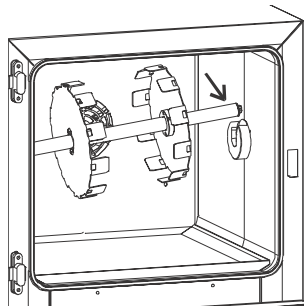
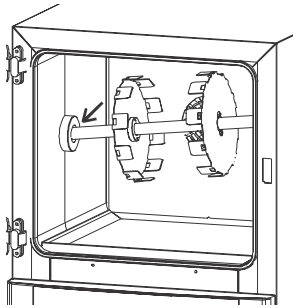


Figure 5



Note

Usar la perilla de velocidad del agitador giratorio para cambiar la velocidad de impulso.

No girar el agitador giratorio a mano. Usar la posición de impulso del conmutador del motor del agitador giratorio.

Para un funcionamiento mejor, deben cargarse los tubos simétricamente para equilibrar el agitador giratorio.

Instalación del agitador giratorio en la incubadora

Seguir este procedimiento para instalar un agitador giratorio en la incubadora.

1. Colocar el conmutador de energía en off y abrir la puerta de la incubadora.
2. Colocar el agitador giratorio en la incubadora con el extremo liso del árbol liso a la izquierda, engrane a la derecha.
3. Alinear el lado izquierdo del árbol con el punto de pivote, a continuación empujar el agitador giratorio a la izquierda contra el resorte, como se muestra abajo a la izquierda.
4. Alinear el lado derecho del árbol con el cubo del engranaje impulsor, como se muestra arriba a la derecha. Soltar el agitador giratorio y permitir que el árbol sea empujado dentro del cubo.

Carga del agitador giratorio

Con el agitador giratorio vacío en la incubadora, cargar los tubos de muestra como sigue:

1. Encender el conmutador de energía, apagar el conmutador del motor del agitador giratorio, y abrir la puerta de la incubadora.
2. Colocar un tubo de muestra contra los broches del agitador giratorio enfrentando el frente de la unidad. Si se necesita posicionar el agitador giratorio, cambiar el conmutador del agitador giratorio a la posición de impulso.
3. Centrar el tubo de muestra de izquierda a derecha, a continuación presione el tubo dentro de los broches hasta que el tubo calce en su lugar.
4. Usar el conmutador del motor del rottiserie para impulsar el agitador giratorio de manera que la posición vacía enfrente el frente de la unidad.

5. Instalar de la misma manera otro tubo de muestra. Centrar el tubo de izquierda a derecha, a continuación presionar el tubo dentro de los broches hasta que el tubo calce en su lugar.
6. Repetir impulsando trotando el agitador giratorio e insertando los tubos hasta instalar todos los tubos de muestra.
7. Cerrar la puerta de la incubadora, graduar la temperatura, y encender el conmutador del motor del agitador giratorio para comenzar a procesar.
8. A la conclusión del proceso, apagar el conmutador, abrir la puerta de la incubadora, y descargar el agitador giratorio.

Figure 6

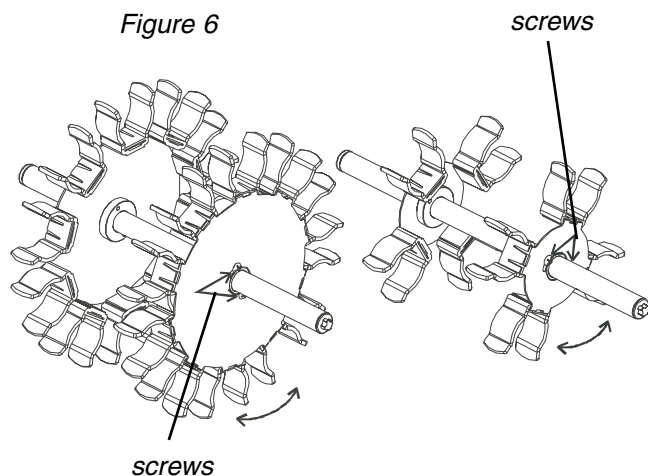
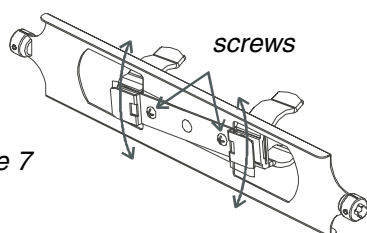


Figure 7



Graduación del agitador giratorio para el eje variable

Con los volúmenes menores en los tubos de muestra, se puede desear graduar el agitador giratorio para el movimiento del eje variable para ayudar en la hibridación. Seguir este procedimiento para cambiar el movimiento del agitador giratorio de un movimiento recto a un movimiento de eje variable, dónde los tubos de muestra están en un ángulo.

1. Apagar el conmutador, a continuación extraer el agitador giratorio de la incubadora.
2. Usando un destornillador de Phillips, aflojara los dos tornillos en uno o ambos extremos de los cubos del agitador giratorio, dependiendo del desplazamiento deseado. Estos tornillos se muestran a la izquierda.

Si se tiene el agitador giratorio opcional para la incubadora pequeña, aflojar los dos tornillos cerca del medio del agitador giratorio, mostrado a la izquierda.

3. Graduar el agitador giratorio al desplazamiento deseado. Se puede querer instalar un tubo de muestra y mover el agitador giratorio para verificar la graduación.

Operación



Note

No hacer girar el agitador giratorio a mano. Use el conmutador de impulso.

4. Apretar los tornillos para que el agitador giratorio no se tuerza.
5. Instalar el agitador giratorio en la incubadora.

Descarga del agitador giratorio

Después de ejecutar el programa, seguir este procedimiento para descargar el agitador giratorio:

1. Abrir la puerta de la incubadora. Encender el conmutador de energía, y apagar el conmutador del motor del agitador giratorio.
2. Usar el conmutador del motor del agitador giratorio para impulsar el rotisserie para que un tubo de muestra enfrente el frente de la unidad.
3. Sacar directamente del agitador giratorio el tubo de muestra.
4. Usar nuevamente el conmutador del motor del agitador giratorio para impulsar el agitador giratorio de manera que el tubo muestra enfrente el frente de la unidad, a continuación extraer el tubo del agitador giratorio.
5. Repetir el impulso al agitador giratorio y extraer todos los tubos hasta que se hayan extraído todos los tubos de muestra.
6. Apagar el conmutador de energía.
7. Limpiar la unidad en preparación para el próximo uso.

Uso de la mecedora

Como una alternativa al agitador giratorio, una mecedora está disponible para agitar las muestras. La mecedora es una opción en las unidades medianas y duales y reemplaza el agitador giratorio normal.

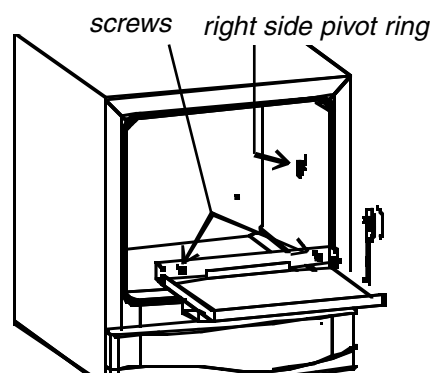


Figure 8

Instalación de la mecedora

Seguir este procedimiento para instalar la mecedora:

1. Apagar el conmutador de energía y abrir la puerta de la incubadora.
2. Extraer el agitador giratorio de la incubadora: empujar el agitador giratorio a la izquierda, alzar el lado derecho fuera del cubo, a continuación mover el agitador giratorio ligeramente a la derecha y elevar fuera de la incubadora.
3. Colocar la mecedora en la incubadora y asegurarla a la parte posterior de la incubadora con los dos tornillos existentes del tablero posterior, como se muestra a la izquierda.
4. Extraer el anillo del pivote del lado derecho desde adentro de la incubadora: Girar el anillo una fracción de vuelta en sentido contrario a las agujas del reloj, a continuación tirar del anillo alejado del lado de la incubadora.
5. Instalar el anillo de pivote de la mecedora: Alinear la estría del anillo de pivote con el cubo expuesto, a continuación presionar y ajustar el fijador del centro.
6. Encender el conmutador de energía y el conmutador del motor del agitador giratorio. Asegurarse que la mecedora funciona bien y sin interferencia.



Nota

Al usar la mecedora, el peso total de la muestra no debe exceder 3.2 kg. Distribuir el peso uniformemente, en equilibrio y centrado.

Carga de la mecedora

Con la mecedora vacía en la incubadora, cargar las muestras como sigue:

1. Encender el conmutador de energía, encender el conmutador del motor del agitador giratorio y abrir la puerta de la incubadora.
2. Instalar las muestras en la mecedora. Si se necesita mover la mecedora para facilitar la carga, usar el conmutador del motor del agitador giratorio para impulsar la mecedora.

3. Cerrar la puerta de la incubadora, graduar la temperatura, y encender el conmutador del motor para comenzar a procesar.

Descarga de la mecedora

Seguir este procedimiento para descargar la mecedora:

1. Abrir la puerta de la incubadora. Encender el conmutador de energía y apagar el conmutador del motor del agitador giratorio.
2. Usar el conmutador del motor del agitador giratorio para impulsar la mecedora si fuera necesario, para ayudar en la extracción de las muestras.
3. Apagar el conmutador de energía.
4. Limpiar la unidad en preparación para el próximo uso.

Limpieza de la unidad

Todas las paredes de la cámara de la incubadora son de acero inoxidable. Limpiar el interior de la incubadora regularmente para impedir la corrosión del acero inoxidable.

El exterior de la unidad es de metal y plástico pintado. Limpiar el exterior con agua tibia o una solución suave de limpieza.

Seguir estas pautas al limpiar la unidad:

- Desenchufar la unidad, dejar la puerta abierta, y permitir que la incubadora se enfríe antes de limpiar.
- Quitar la bandeja de goteo de adentro de la cámara.
- Limpiar todas las superficies y la bandeja de goteo con un detergente suave (tal como el detergente de la lavadora de platos) y agua tibia.

- Si se han usado materiales radiactivos, limpiar la incubadora usando un limpiador apropiado de una manera aprobada.
- No fregar ninguna superficie con fibra metálica. La fibra metálica deja partículas pequeñas de metal que se oxidan, causando la superficie parezca oxidada.
- Donde haya una capa pesada de residuo en las superficies de acero inoxidable, o donde haya evidencia que la corrosión está empezando, usar un limpiador para acero inoxidable.
- Enjuagar y limpiar todas las superficies con agua limpia y permitir que se sequen al aire.

Servicio

Servicio Fisher

Si se necesitan piezas de repuesto o reparaciones para su incubadora de hibridación, llamar al distribuidor de quien se compró el producto.

Sugerimos que se refiera cualquier necesidad de servicio para su incubadora de hibridación a personal calificado.

En caso de tener problemas

Si se presentan problemas al usar la incubadora, seguir estos procedimientos generales para determinar la causa.

Si se presenta este problema

No hay energía

Ésta podría ser la causa

La unidad no está enchufada; fusible(s) quemado; no hay energía en el tomacorriente; la energía no es la correcta (asegurarse que el tomacorriente corresponde con la información en la etiqueta en la parte posterior de la unidad); cordón de potencia defectuoso; conmutador de energía defectuoso.

No calienta o calienta más lento que lo normal

Serpentín del calentador defectuoso; tablero de mando de temperatura defectuoso.

El ventilador no funciona

Motor del ventilador defectuoso.

El agitador giratorio no gira

El conmutador del motor del agitador giratorio está apagado; motor del agitador giratorio defectuoso; polea propulsora rota; tablero de mando de temperatura defectuoso.

Exhibe alternativamente entre temperatura real y **Alr** (alarma).

El ajuste de temperatura ha sido reducido por debajo de la temperatura actual de la cámara. Relé de estado sólido defectuoso.

Luz de ALARMA "**ALARM**" encendida

Termocoupla defectuosa; tablero de control de temperatura defectuoso; relé de estado sólido defectuoso, termostato de seguridad defectuoso

Piezas de repuesto

Usar sólo piezas genuinas de repuesto Fisher en su incubadora de hibridación. Al ordenar las piezas de Fisher, usar estos números de piezas de repuesto. Para ordenar las piezas, llamar al distribuidor de quien se compró el producto.

Artículo	Pieza de servicio no.
Tablero de mando de temperatura, 100/120 V CA	SPN103703
Tablero de mando de temperatura, 230 V CA	SPN104627
Tablero de mando del motor	SPN103706
Relé de estado sólido	SPN88616
Calentador, 100/120 VCA	SPN103644
Calentador, 230 VCA	SPN105019
Motor de agitador giratorio	SPN103686
Correa sincronizadora	SPN103977
Motor del ventilador; 100/120 VCA	SPN103990
Motor del ventilador, 230 VCA	SPN103991
Sensor de temperatura	SPN95603
Termostato de seguridad	SPN103986
Conmutador de energía	SPN102629
Luz de la ALARMA, 100/120 VAC	SPN30244
Luz de la ALARMA, 230 VAC	SPN23358
Conmutador del motor del agitador giratorio	SPN103989
Potenciómetro de velocidad del agitador giratorio	SPN103987
Perilla para el mando de velocidad del agitador giratorio	SPN103867
Módulo de entrada de energía eléctrica, (por todo 120v excepto en 13-247-30 y -31)	SPN102486
Módulo de entrada de energía eléctrica, (para 13-247-30 y -31)	SPN104055
Línea Filtro (para 13-247-12, -13, -22, -23, -32, y -33)	SPN104579
Fusible, 5A, 250V, 5 x 20mm, acción rápida	SPN102487
Disyuntor, 8A, (para 13-247-30 y -31)	SPN103988
Cordón de energía, norteamericano	SPN40521
Cordón de energía, Euro	SPN83115
Cordón de energía, Reino Unido	SPN83117
Empaquetadura de la puerta	SPN103967
Cubierta del tablero delantero, "ondulada"	SPN103974
Cubierta del tablero delantero, "no ondulada"	SPN103975
Broche del tubo del agitador giratorio, 35 mm	SPN103958
Broche del tubo del agitador giratorio, 70 mm	SPN104008

Reemplazo de los fusibles

Hay dos fusibles ubicados en el módulo de entrada de energía en la parte posterior de la unidad. Para reemplazar los fusibles proceder como sigue:

1. Colocar el conmutador en la posición OFF y tirar del cordón de energía fuera del módulo.
2. Encajar un destornillador de hoja delgada debajo de la porción del fondo del sujetador del fusible.
3. Usando un destornillador, deslizar el sujetador del fusible fuera del módulo.
4. Reemplazar los fusibles malos.
5. Deslizar el sujetador del fusible dentro del módulo hasta que calce en su lugar.

PRECAUCION: FUSIBLE DEL NEUTRO DE POLO DOBLE.

Como apretar una correa de tensión floja

Para Cat # 13-247-10, 11, 12 y 13, hacer lo siguiente:

1. Girar el botón de encendido hasta la posición OFF y luego sacar la cuerda de encendido fuera del módulo.
2. Acostar la incubadora sobre el costado derecho.
3. Remover los tornillos con un destornillador. Luego quitar la cubierta inferior del chasis.
4. Usando un aprieta tuercas 11/32, aflojar las dos tuercas que sujetan el soporte del motor al chasis.
5. Deslizar el motor hacia atrás para apretar la correa de tensión y después apretar las tuercas.
6. Volver a poner la cubierta inferior en su posición inicial.

Para Cat # 13-247-20, 21, 22, 23, 30, 31, 32 y 33, hacer lo siguiente:

1. Girar el botón de encendido hasta la posición OFF y luego sacar la cuerda de encendido fuera del módulo.
2. Situarse de tal manera que vea la incubadora desde atrás.
3. Remover los tornillos con un destornillador. Luego quitar la cubierta trasera del chasis.
4. Usando un aprieta tuercas 11/32, aflojar las dos tuercas que sujetan el soporte del motor al chasis
5. Deslizar el motor hacia atrás para apretar la correa de tensión y después apretar las tuercas.
6. Volver a poner la cubierta inferior en su posición inicial.

Reactivos biológicos Fisher

Los reactivos biológicos siguientes pueden usarse con las hibridaciones ácidas nucleicas. Estas soluciones son todos garantizadas libres de RNasa, DNasa, y Proteasa. Ellos se esterilizan a través de un filtro de 0.2 um y / o por autoclave, y se fabrican bajo las pautas ISO 9002.

Al pedir estos materiales de Fisher, usar el número de catálogo de abajo. Para pedir estos materiales, llamar al distribuidor de quien se compró el producto.

Artículo	Tamaño	No. de catálogo
Reactivo de Denhardt	150 mg	BP520-5
Reactivo de Denhardt, 50X	5 ml	BP515-5
Sulfato Dextran, Sal de sodio	100 g	BP1585-100
	500 g	BP1585-500
Formamida	25 ml	BP531-25
	500 ml	BP531-500
Combinación de hibridación, 50% de Formamida	50 ml	BP1575-50
Polivinilpirrolidona	100 g	BP431-100
Albúmina de Suero Bovino (Fragmento V)	100 g	BP1605-100
Sulfato de Dodecilo de Sodio, solución al 20% (SDS)	200 ml	BP1311-200
	1 litro	BP1311-1
Citrato de Sodio Salino, solución 20X (SSC)	1 litro	BP1325-1
	20 litros	BP1325-20
Fosfato de sodio salino - EDTA, Solución 20X (SSPE)	1 litro	BP1328-1
	20 litros	BP1328-20
Borato de Tris EDTA, Solución 10X (TBE)	1 litro	BP1333-1
	20 litros	BP1333-20
Borato de Tris EDTA, Solución 1X (TBE)	20 litros	BP2430-20
Acetato de Tris EDTA, Solución 50X (TAE)	500 ml	BP1332-500
	1 litro	BP1332-1
	20 litros	BP1332-20
Acetato de Tris EDTA, Solución 1X(TAE)	20 litros	BP2434-20